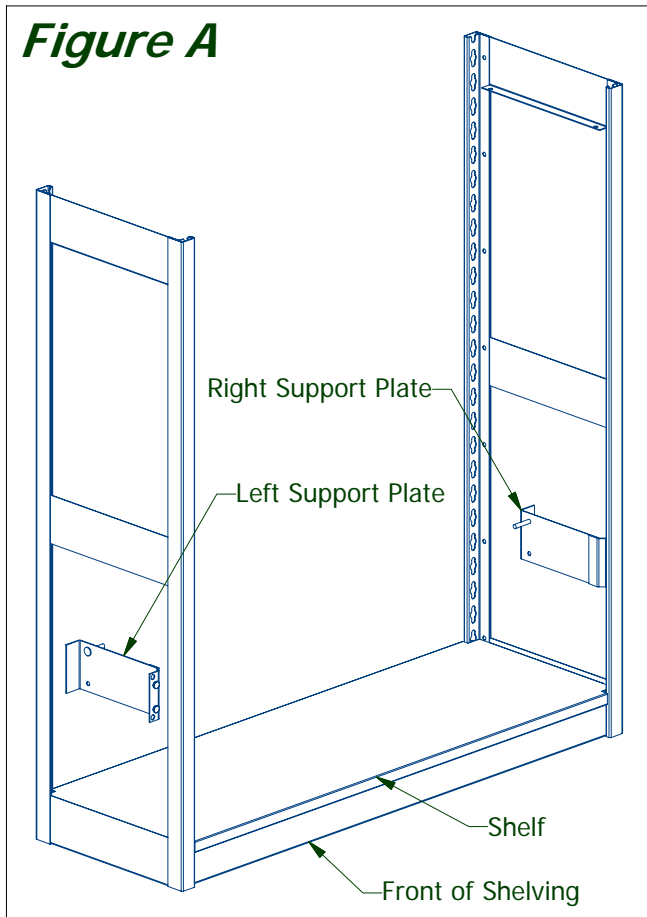
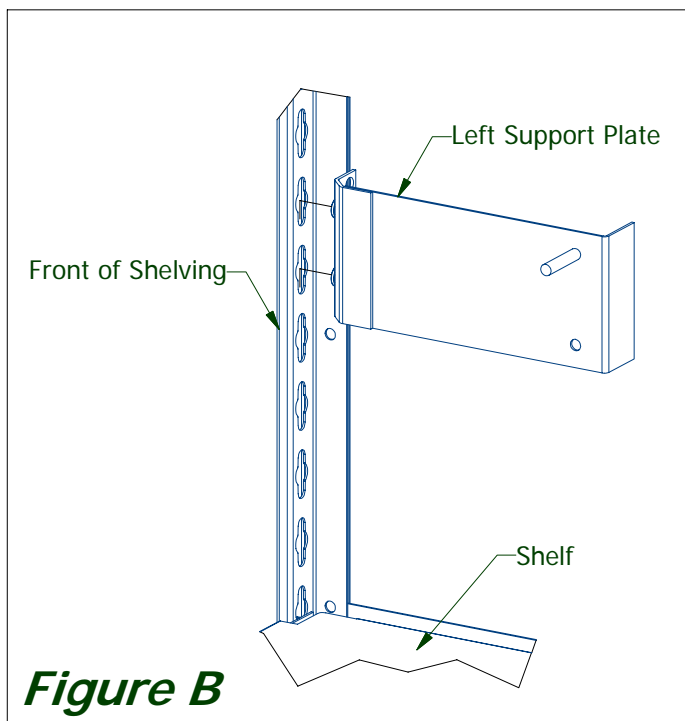


# 4POST MAGAZINE RACK INSTALLATION INSTRUCTIONS

**Figure A**



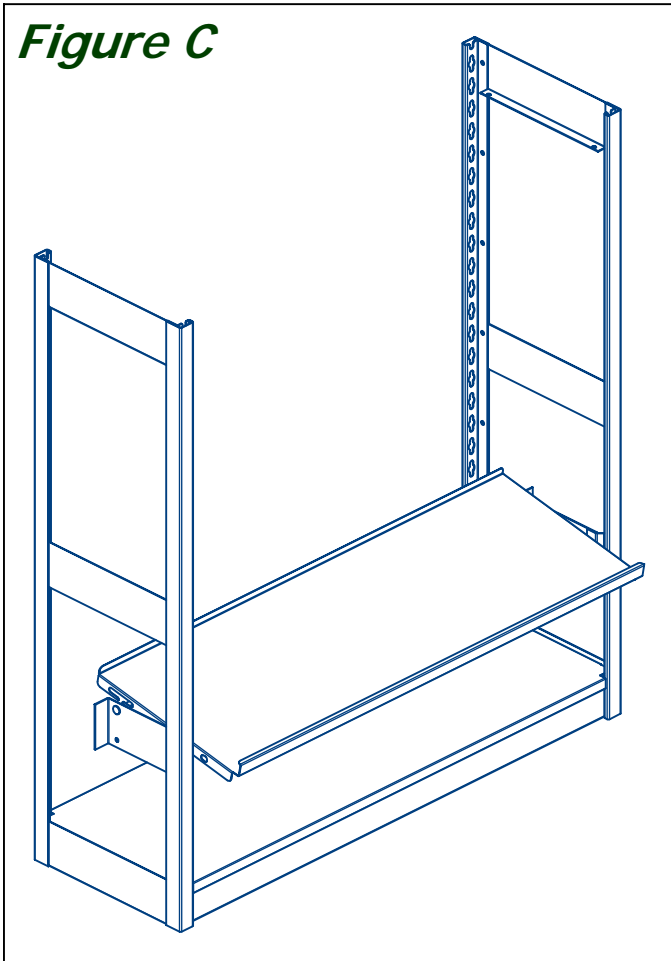
**Step 1:** Insert a Left & Right Support Plate as shown in *Figure A* & *Figure B*. Lower rivet of Support Plate must go in the 5th keyhole above Shelf.



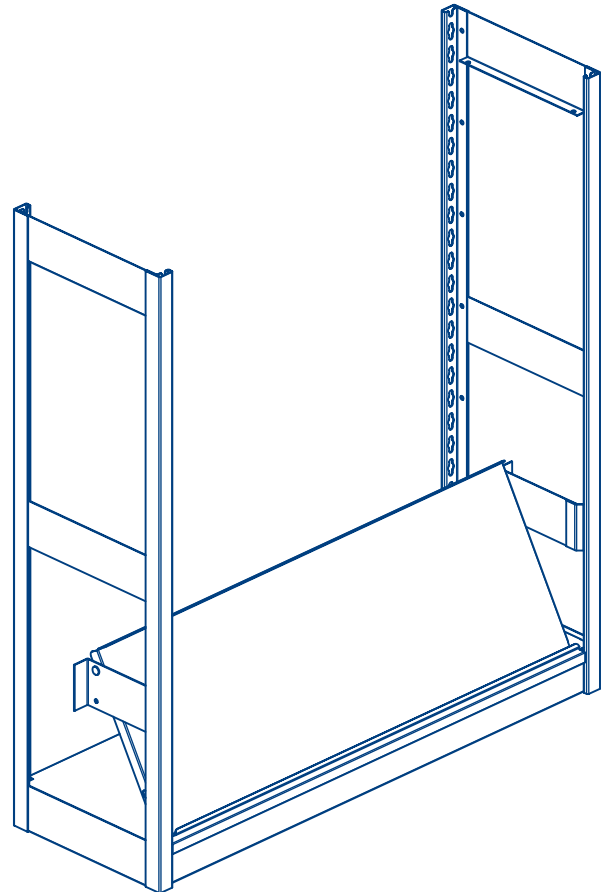
**Figure B**

# 4POST MAGAZINE RACK INSTALLATION INSTRUCTIONS

**Figure C**



**Step 2:** Install Magazine Rack by simply aligning the slots on the side of the Magazine Rack with the two pins on the Support Plates as shown in *Figure C*.



If you need assembly assistance, please contact Customer Service at:  
1-866-217-0330 (Monday thru Friday 8:00 AM - 5:00 PM E.S.T.)