

REFERENCE SHELF INSTALLATION INSTRUCTIONS

Step 1

Locate two shelf supports positioned at the desired height.

Step 2

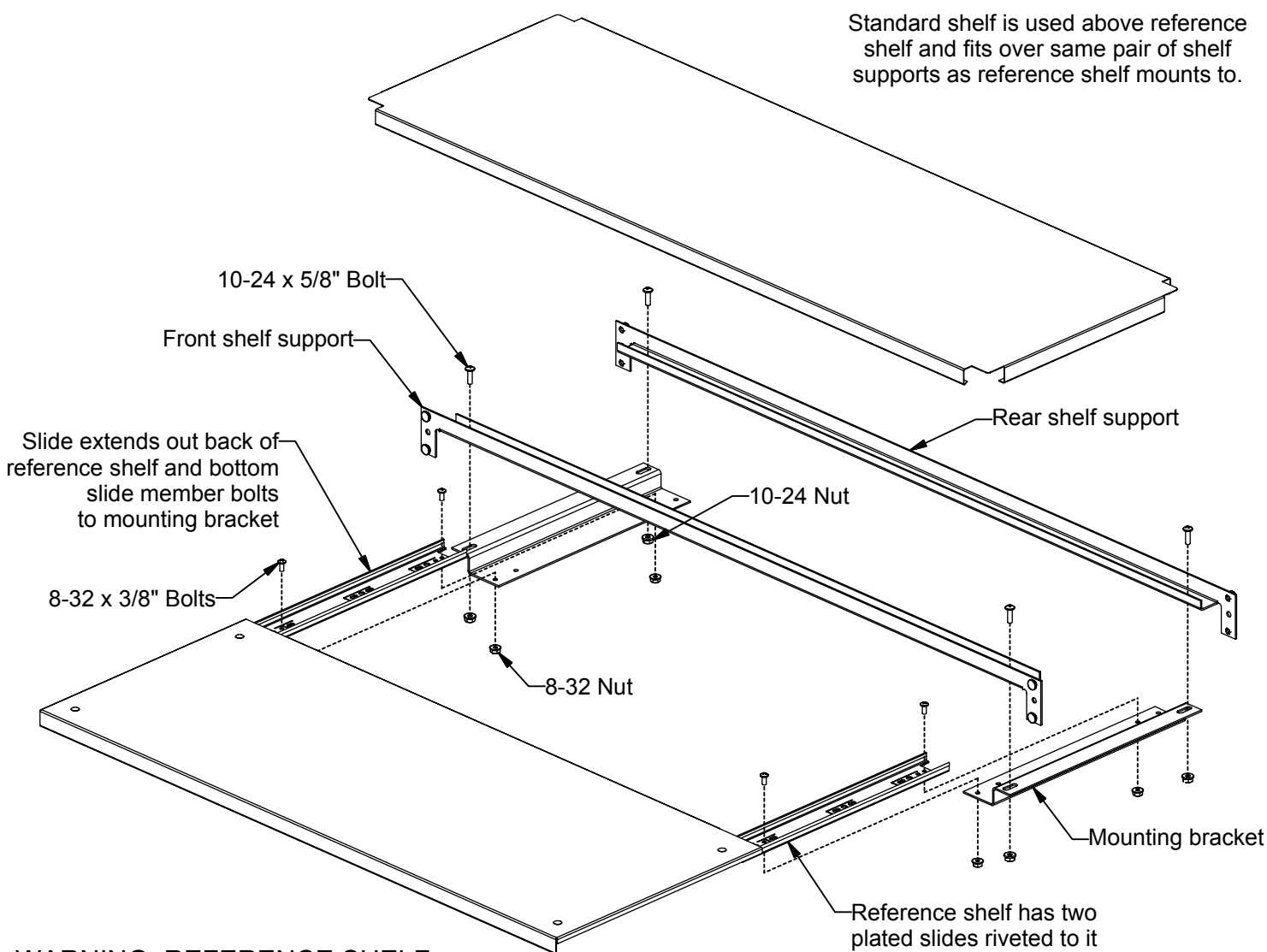
Extend plated slides out back of shelf and bolt z-shaped mounting bracket through mating round holes in slide and bracket with nut on bottom. Use two 8-32 x 3/8" bolts and nuts on each slide. Flange with slots should face up and out from end of shelf. 'Z' brackets are double punched to eliminate lefts and rights. See *Figures 2 and 3* for correct bolting for your unit depth. Front two holes in plated slide are located by moving slide access hole over mounting hole.

Step 3

Hold reference shelf with slides retracted beneath it under the shelf supports so that mounting bracket slots are lined up just beneath four holes in shelf supports and bolt with four 10-24 x 5/8" bolts and four nuts on bottom. Front of mounting bracket should be even with front face of shelf support.

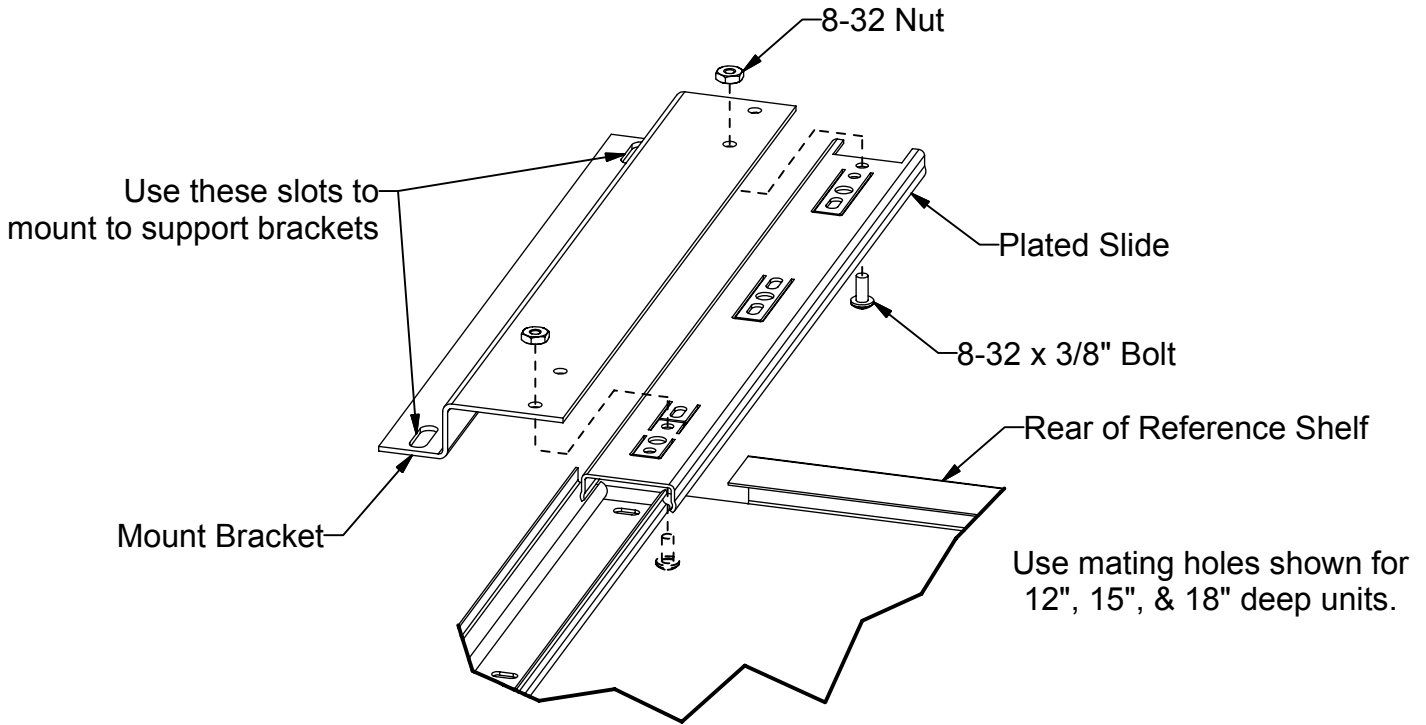
Step 4

Place fixed standard shelf over shelf supports. When fully closed, reference shelf should be flush with front of fixed shelf above it. If reference shelf does not retract to proper location, you have used the wrong holes in bolting plated slides to mounting brackets.



**WARNING: REFERENCE SHELF
CAPACITY MAX 50 LBS.**

****Units shown upside down for clarity****



Another reference shelf can be mounted here on same mounting brackets in 24", 30", & 36" double entry units if desired.

