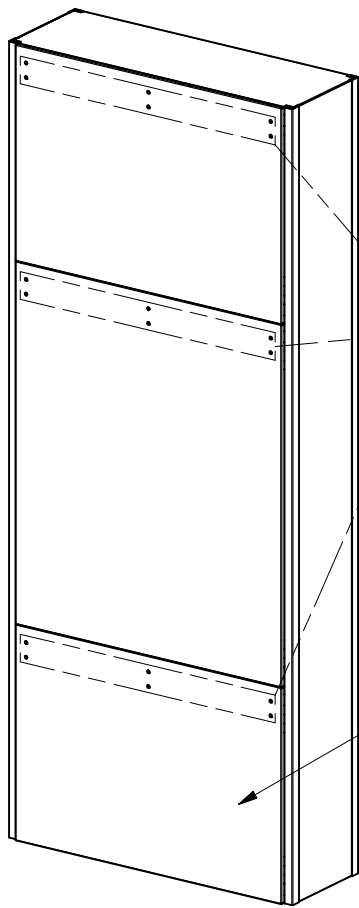


4Post Sectional Back Panel Assembly Instructions



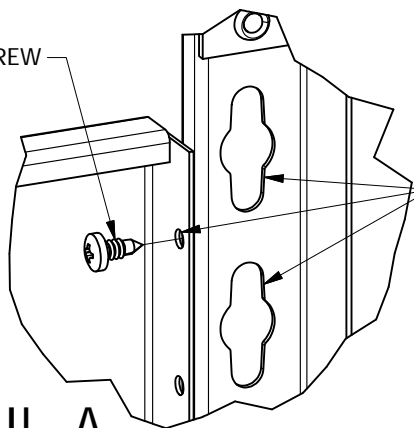
Align the portion of the end panel with the knock-outs towards the top.
Note: Not all panels have knock-outs. If only one panel has knock-outs, it must be used as the topmost panel.

REAR OF 4POST UNIT

Step 1). To aid in installation, install shelf supports at the top and the bottom of the front of the shelving. Install all rear shelf supports

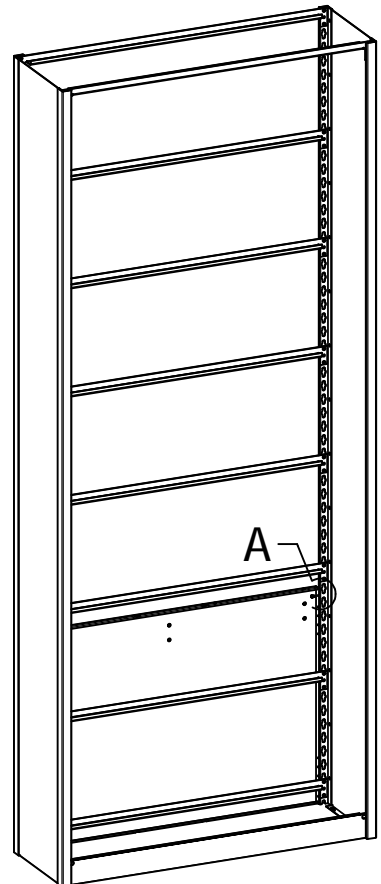
Step 2). Place the lower rear panel against the rear shelf supports. Choose screw holes that fall between keyholes and will not interfere with shelf supports or shelves. Install (4) #8 x 3/8" tek screws, one in each corner.

#8 x 3/8" TEK SCREW

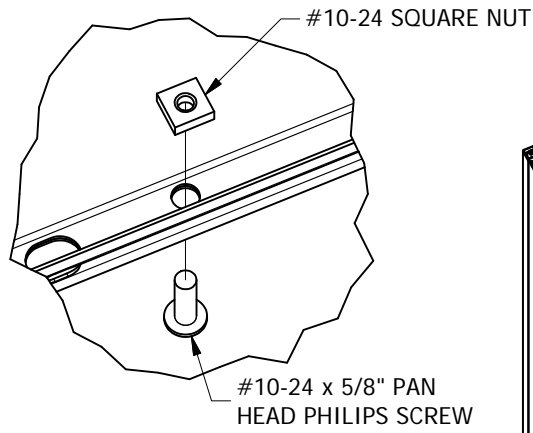


HOLE BETWEEN KEYHOLES

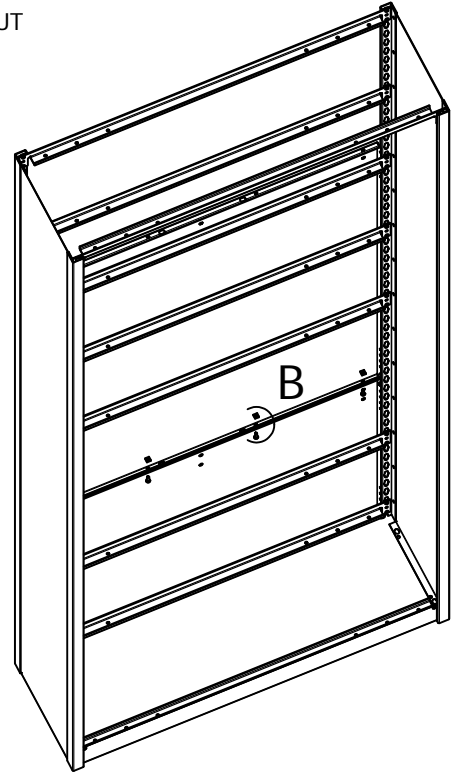
DETAIL A



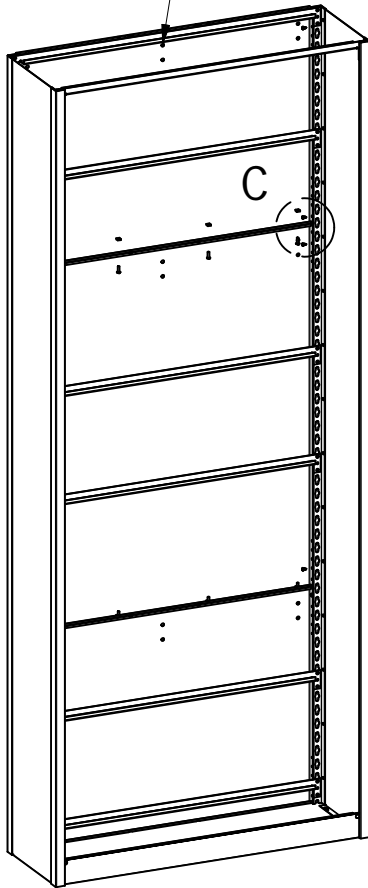
Step 3). Place the next rear panel on top of the last. Attach the panels to each other with four #10-24 x 5/8" Phillips Pan Head Machine Screws & Square Nuts



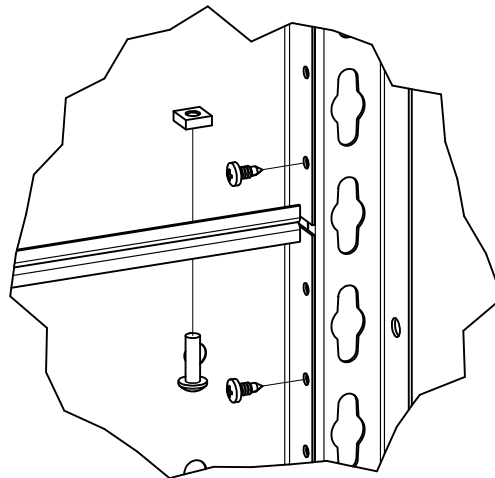
DETAIL B



IF REAR PANELS HAVE KNOCK-OUTS, THE TOP PANEL MUST HAVE KNOCK-OUTS.



Step 4). Repeat the process of screwing in rear panels, placing more rear panels attaching with screws and nuts, until all rear panels are installed.



DETAIL C

END OF INSTRUCTIONS.

FOR ASSEMBLY ASSISTANCE CONTACT CUSTOMER SERVICE AT 1-866-217-0330 (MONDAY THROUGH FRIDAY, 8AM TO 5PM EST).