

# 4POST WALL TIE INSTRUCTIONS

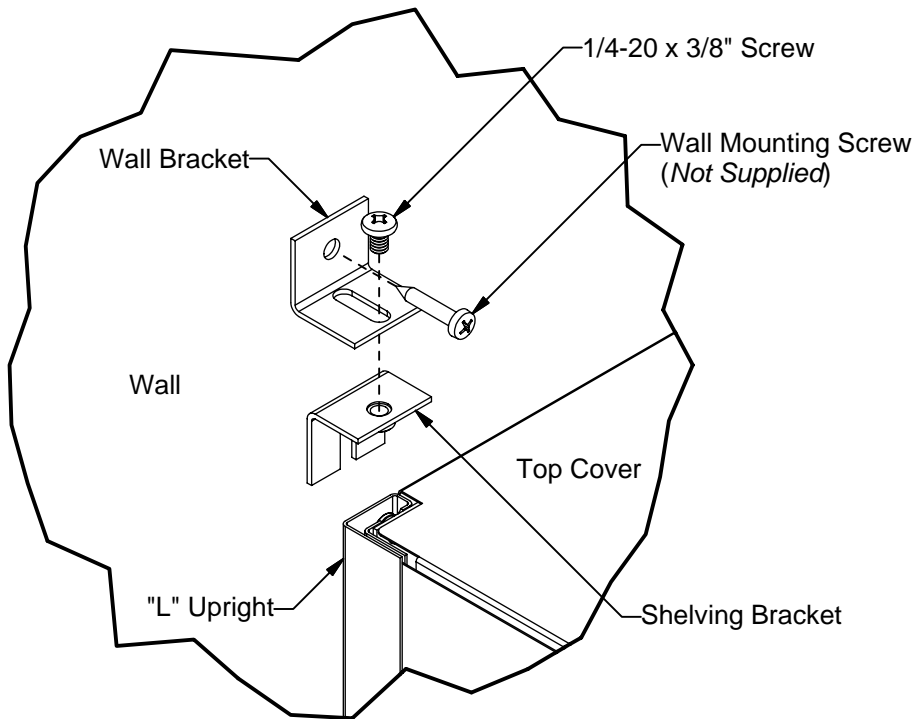


Figure A

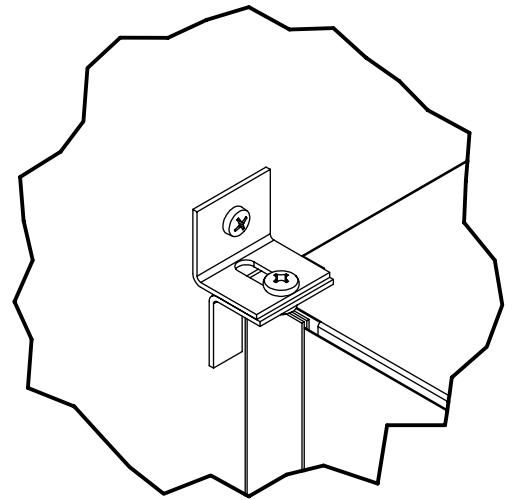


Figure B

Secure 4Post unit against wall by assembling a Wall Tie at each upright. Refer to *Figure A & B* if assembling a Wall Tie for a "L" Upright. Refer to *Figure C & D* if assembling a Wall Tie for a "T" Upright. Hardware to attach Wall Tie to wall is not supplied.

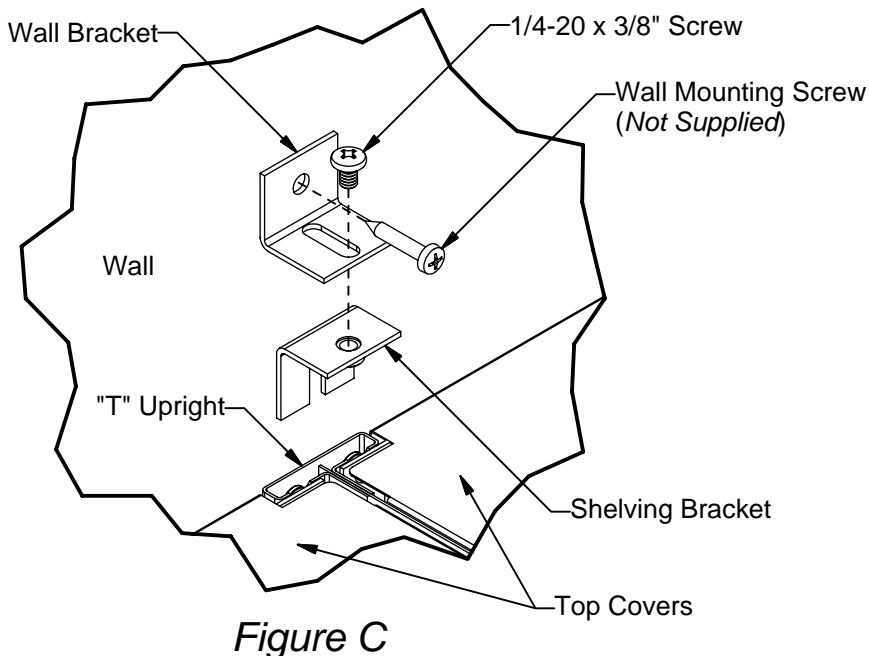


Figure C

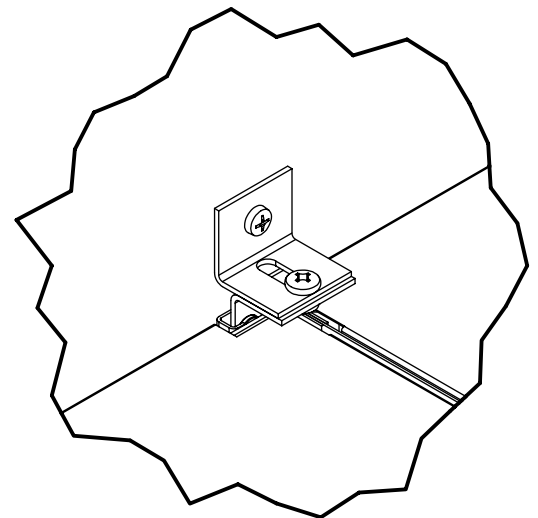


Figure D