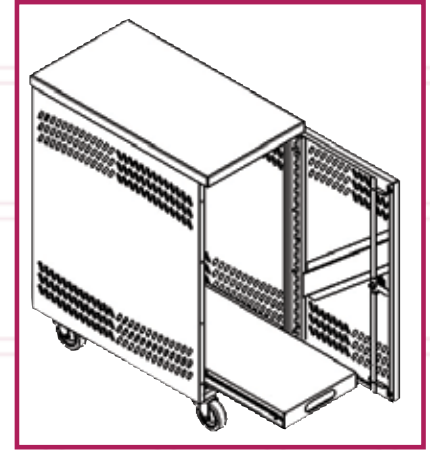




# CPU Locker™

## INTRODUCTION/DESCRIPTION

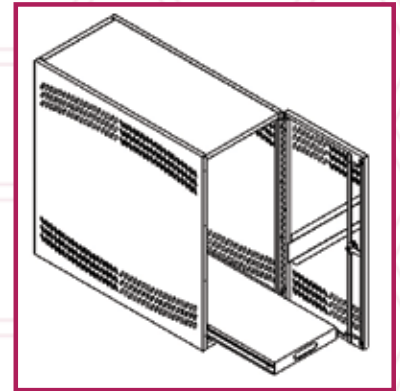
The CPU Locker™ helps to prevent any type of unwanted access to the computer. The unit can be secured to the underside of desks or worksurfaces. It can also stand alone, with or without wheels, making it portable but still secure. Cable grommets in the back of the CPU Locker™ make organizing cords and wires simple, while vented side panels provide plenty of air circulation



## CONSTRUCTION

### CPU Locker Unit

- Manufactured from 20 gauge steel (top and bottom of unit are 18 gauge steel).
- Durable powdercoat finish.
- Locking hinged door.
- Dual door available.
- Ventilation pattern for proper airflow and cooling.
- Pull-out shelf for easy access to CPU unit.
- Mobile units are equipped with 2" vinyl wheels, 2 locking swivel and 2 non-locking fixed.



### Dimensions

	Outer Dims	Inner Dims
• CPU1	8"W x 16"D x 18"H	5"W x 14"D x 13-1/2"H
• CPU2	12"W x 22"D x 24"H	9"W x 20"D x 19-1/2"H
• CPU2-M	12"W x 22"D x 27-5/8"H	9"W x 20"D x 19-1/2"H
• CPU3	13-1/2"W x 29-1/2"D x 29-1/2"H	10-1/2"W x 27-1/2"D x 25"H
• CPU3.5	18"W x 34"D x 29-1/4"H	15"W x 32"D x 24-3/4"H
• CPU4	24"W x 29-1/2"D x 28-1/2"H	21"W x 27-1/2"D x 24"H
• CPU5	10"W x 20"D x 20"H	7"W x 18"D x 15-1/2"H
• CPU6	10"W x 26"D x 23"H	7"W x 24"D x 18-1/2"H

## SHIPPING AND HANDLING

### Product Weights (not including packaging)

CPU1	25 lbs
CPU2	35 lbs
CPU2-M	45 lbs
CPU3	65 lbs
CPU3.5	75 lbs
CPU4	85 lbs
CPU5	22 lbs
CPU6	30 lbs

### Freight Class

- All ship Freight Class 70.

### Packaging

- Ships assembled via FedEx.

## WARRANTY

Lifetime warranty. Warranty information is available upon request.



Contact the factory for more information

[sales@datumfiling.com](mailto:sales@datumfiling.com) / 800-828-8018 / [www.datumfiling.com](http://www.datumfiling.com)