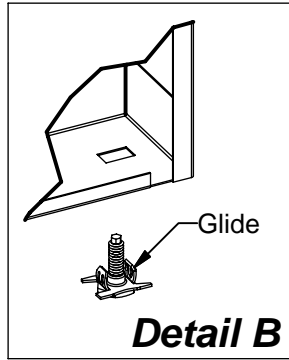
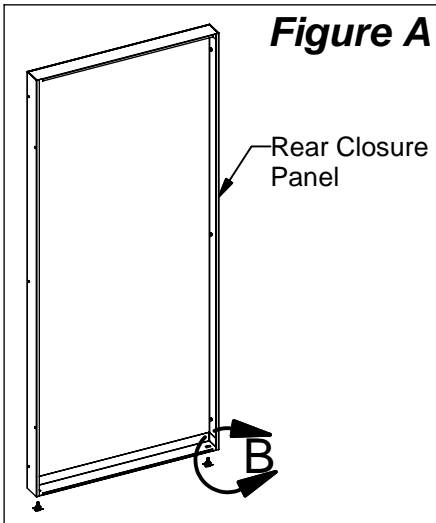
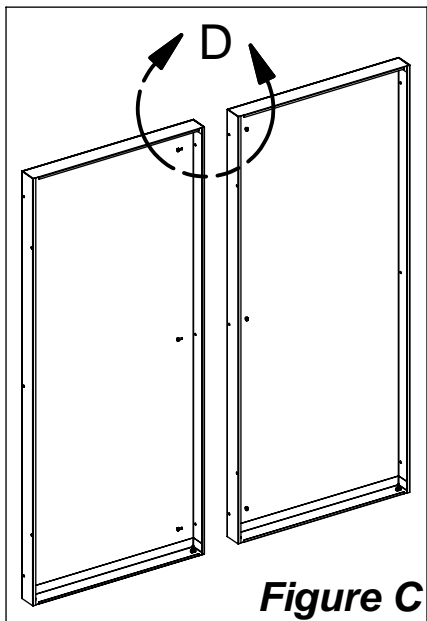


Ez2 Rear Closure Panel Installation Instructions

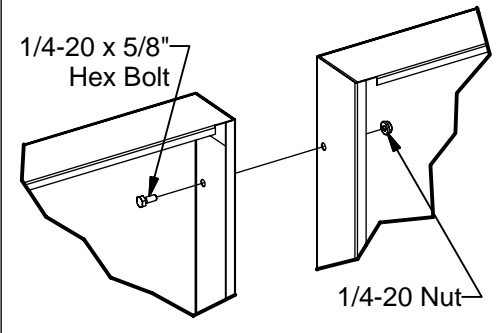


Step 1: Install two Glides into bottom of each Rear Closure Panel. A hammer will need to be used to pound each Glide into slot.

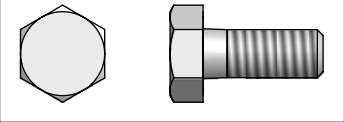


Step 2: For configurations with two or more units side by side only! Fasten Rear Closure Panels together with three 1/4-20 x 5/8" Hex Bolts & Flanged Hex Nuts for every two Panels being connected (Figure C & Detail D).

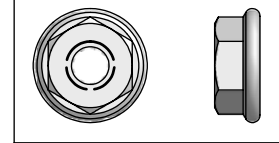
Detail D



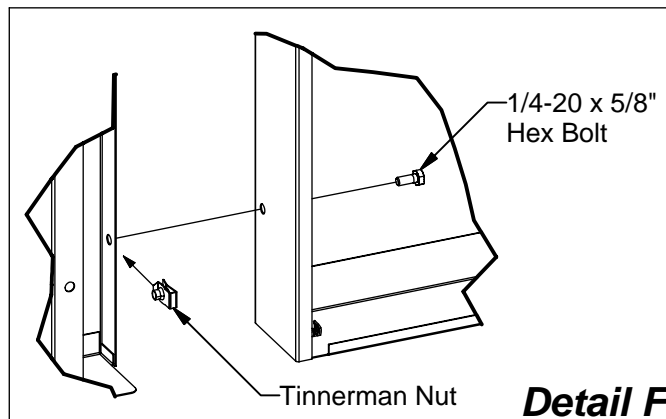
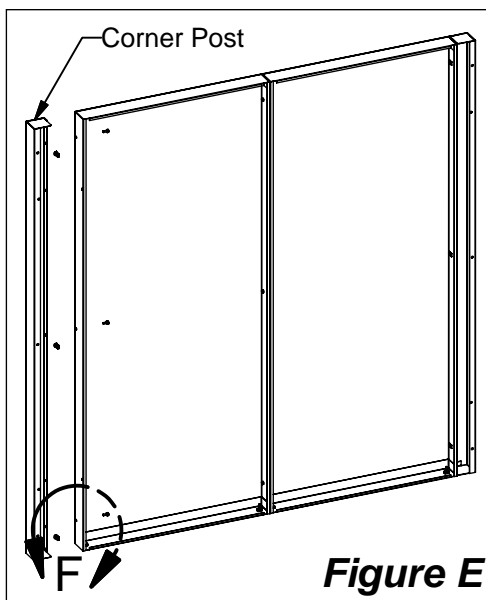
1/4-20 x 5/8" Hex Bolt



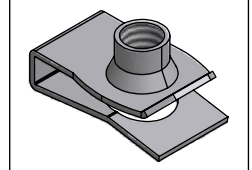
1/4-20 Flanged Hex Nut



Step 3: Fasten a Corner Post to end of each side with three 1/4-20 x 5/8" Hex Bolts & Tinnerman Nuts (Figure E & Detail F). To attach Tinnerman Nut, simply wedge nut over edge of sheet metal & line-up with hole. See Detail F for correct orientation of nut.

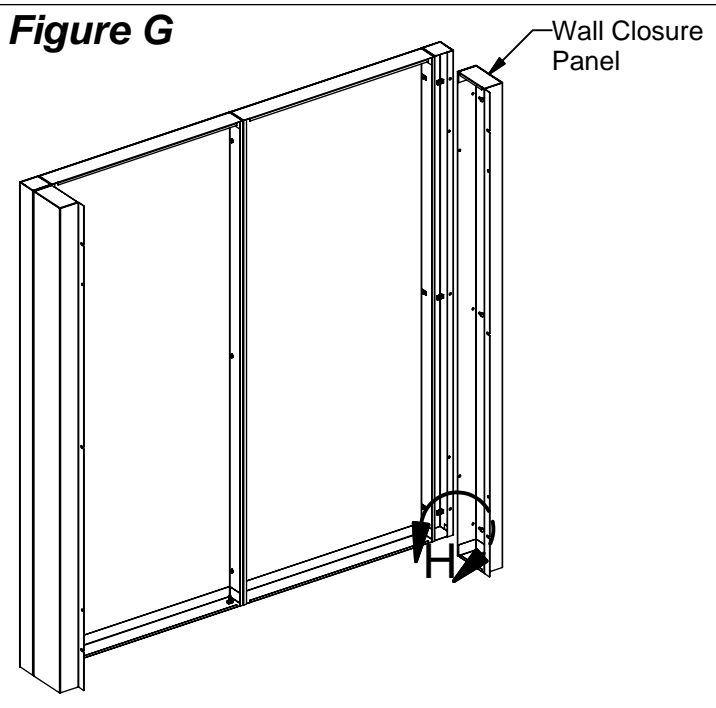


Tinnerman Nut



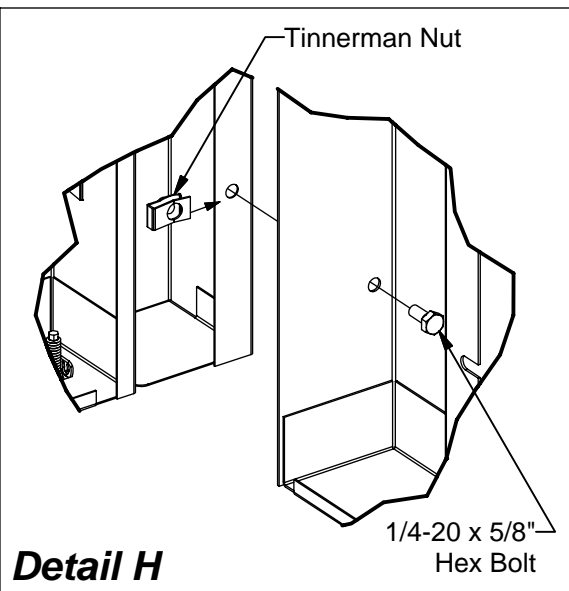
Ez2 Rear Closure Panel Installation Instructions

Figure G



Step 4: Fasten a Wall Closure Panel to each Corner Post with three 1/4-20 x 5/8" Hex Bolts & Tinnerman Nuts (*Figure G & Detail H*).

Step 5: To attach the Rear Closure Panel assembly to the Ez2 Unit(s), loosen bolts holding End Panels in place. Now slide flange of Panel between End Panel & Ez2 frame. Tighten bolts holding End Panel in place. See *Figure J*.



Detail H

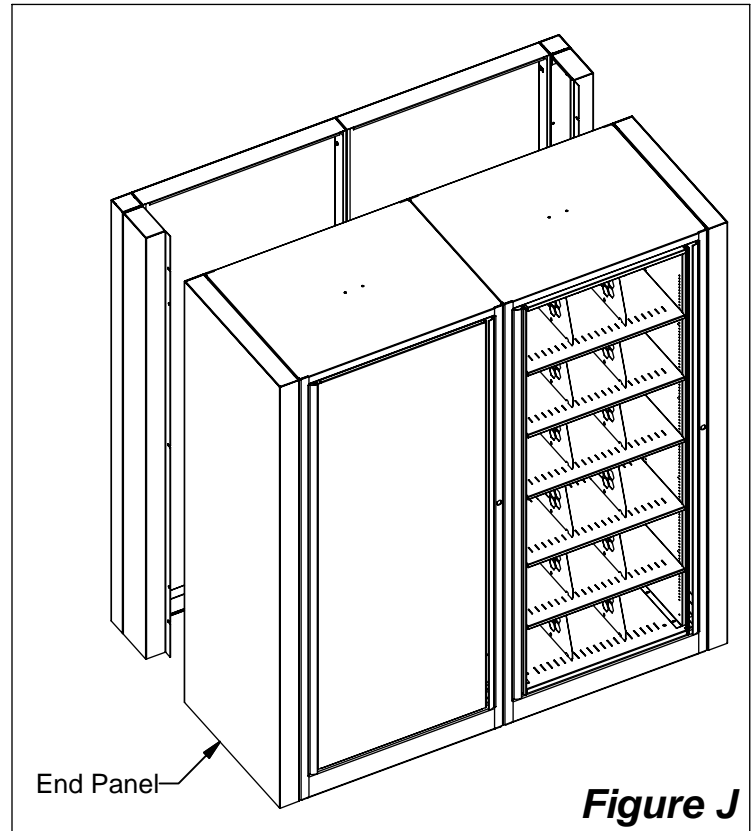


Figure J

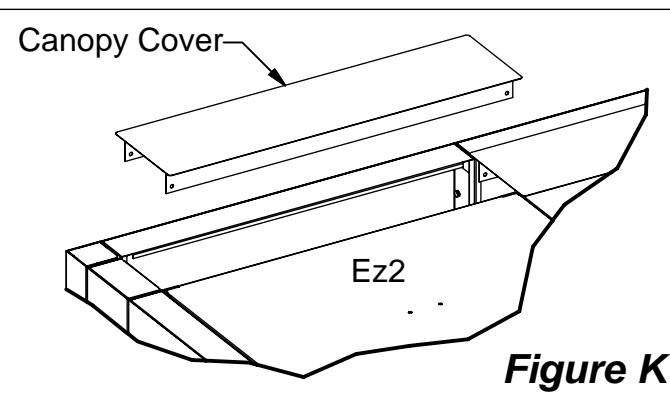


Figure K

Step 6: Install Canopy Cover by simply removing strips of film covering double face tape & dropping into empty space between Ez2 & Rear Closure Panel (*Figure K*).

This concludes the instructions for assembling Ez2 Rear Closure Panel components. For assembly assistance, please call **1-866-217-0330**.