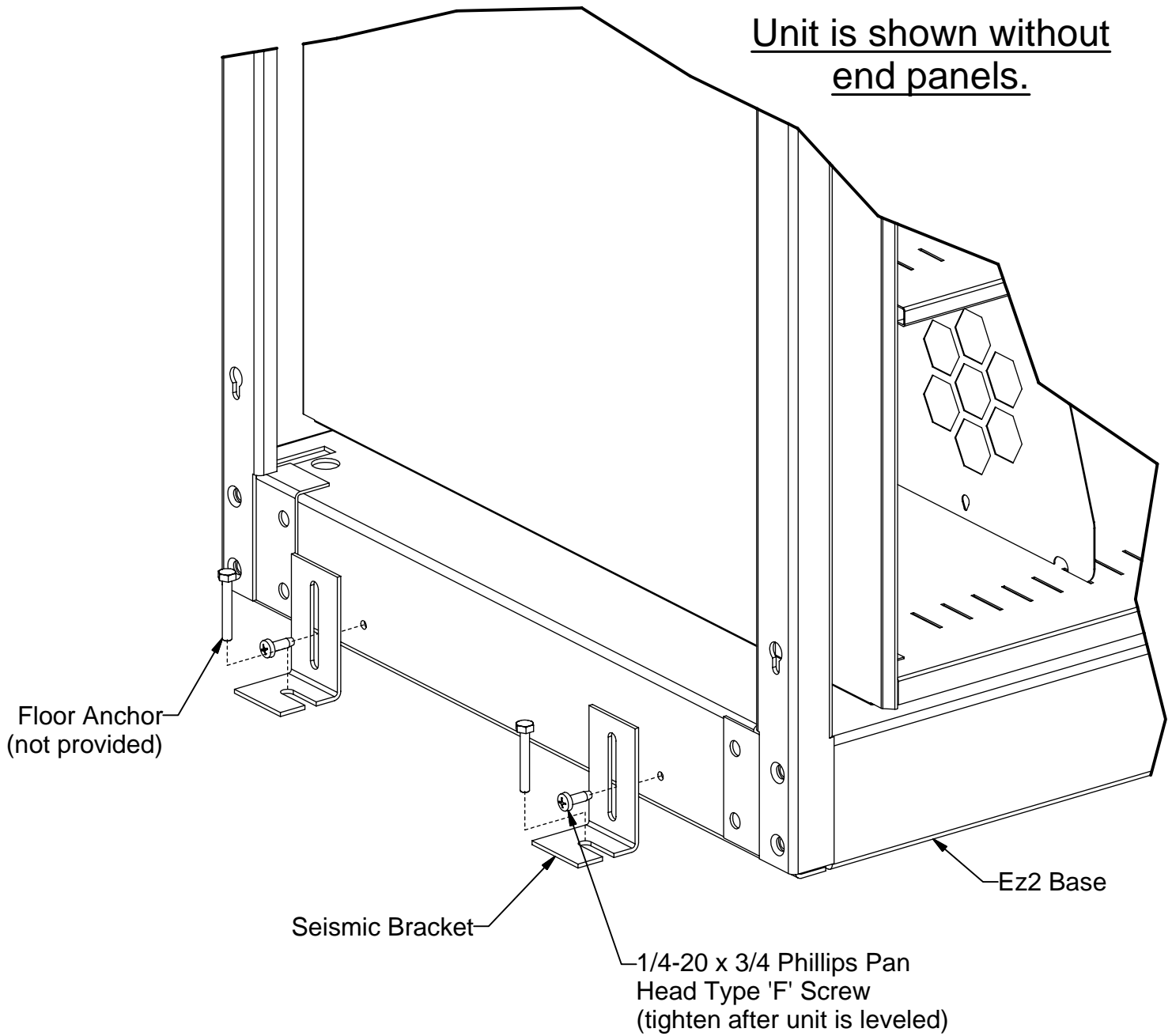


Ez2 Seismic Bracket Instructions

Unit is shown without end panels.



The 1st unit will have 4 brackets attached & all units after the 1st will have 2 as shown.

