

# OPTIONAL LAMINATED/METAL TOP INSTALLATION

1.) Attach 2 mounting brackets to the inner sides of the file cart as shown using (4) 1/4-20 pan head phillips screws & flange nuts per bracket.

## Laminate Top

2.) Place top on top of the file cart laminated side up. Align spot holes on bottom of laminated top with punch holes in mounting brackets. Secure using #10 wood screws.

## Metal Top

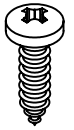
2.) Place top on top of the file cart. Align the holes on bottom of top with holes in mounting brackets. Secure using #8 x 1/2" sheet metal screws.

Included hardware:

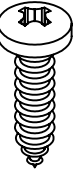
1/4-20  
FLANGE NUT



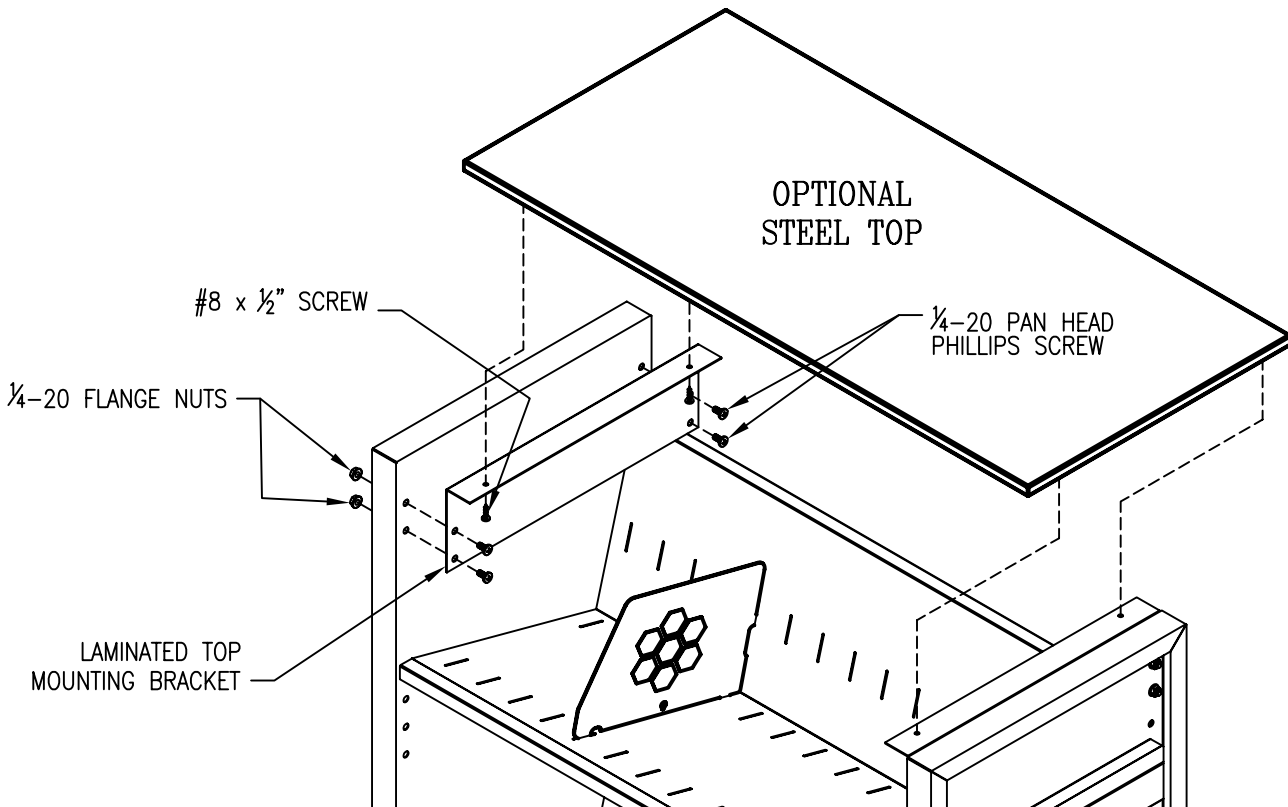
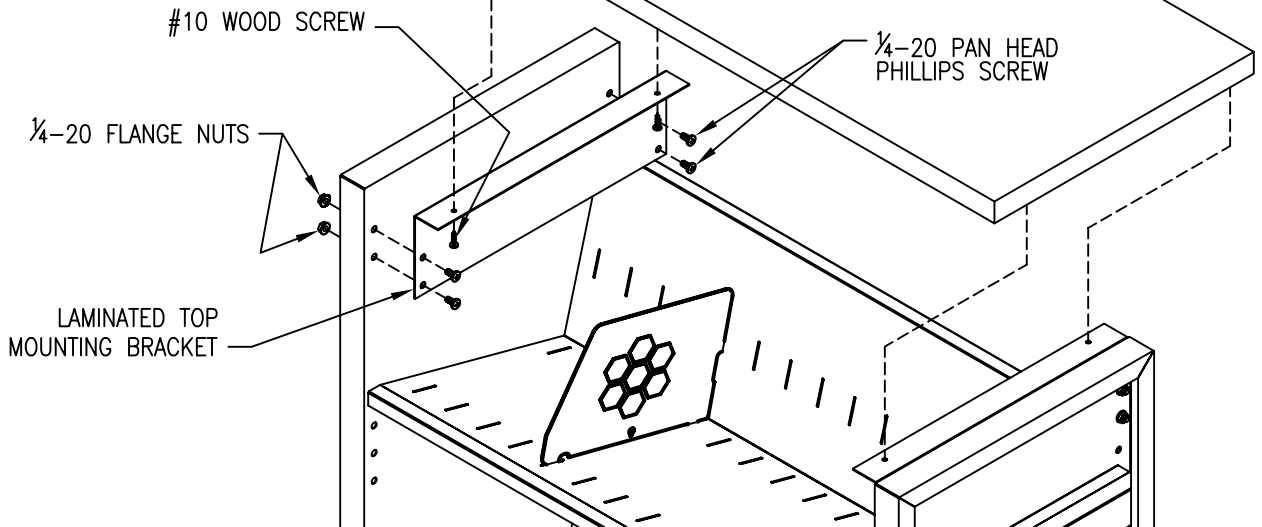
#8 x 1/2" SHEET  
METAL SCREW



#10 x 3/4" PARTICLE  
BOARD SCREW



1/4-20  
PAN HEAD PHILLIPS  
SCREW



For assembly assistance, contact Customer Service at:  
1-866-217-0330 (Mon.-Fri. 8:00a.m.-5:00p.m. E.S.T.)