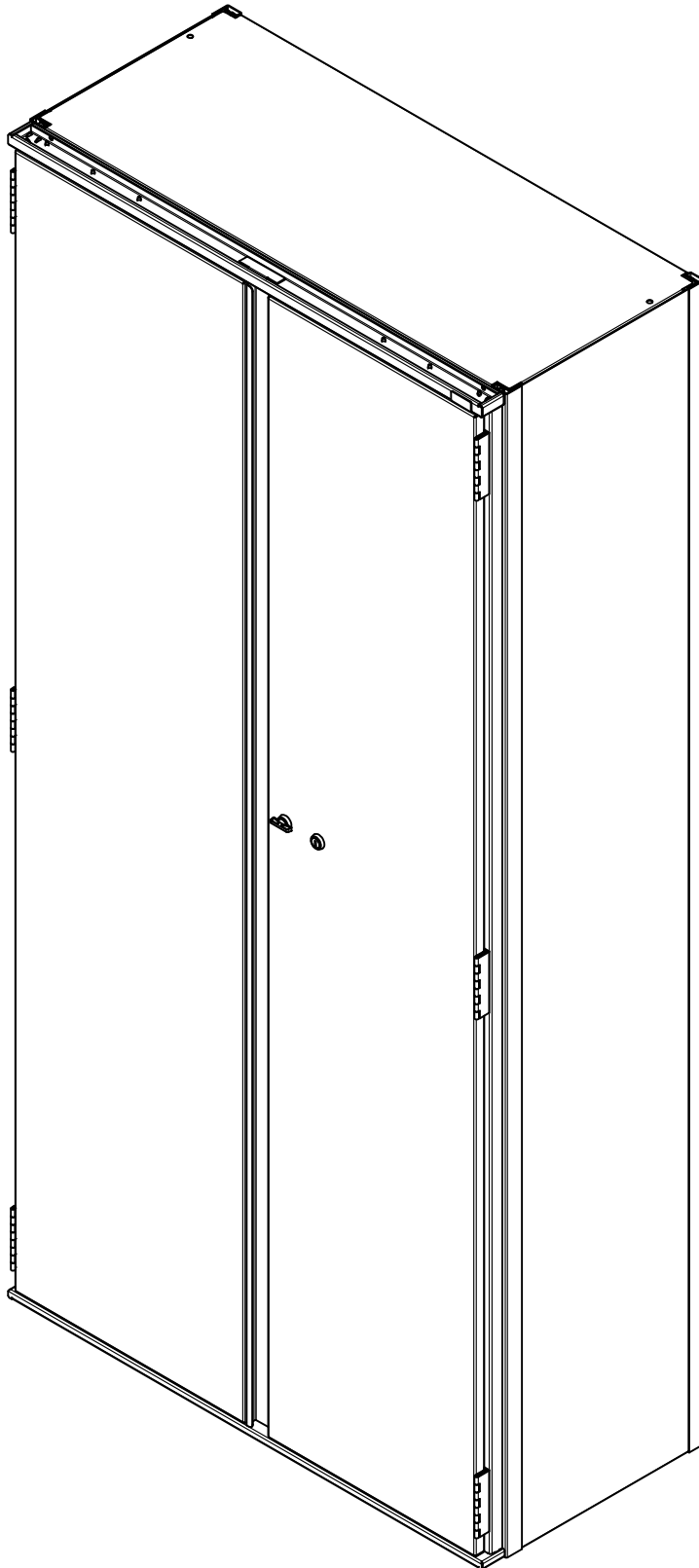


4POST HINGED DOORS (HD2)

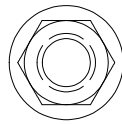
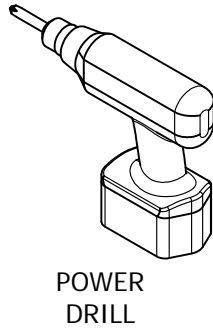
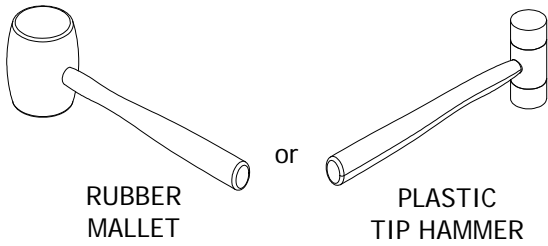
INSTALL INSTRUCTIONS



4POST HINGED DOORS (HD2)

PLEASE OPEN ALL BOXES AND MAKE SURE THAT YOU HAVE ALL REQUIRED COMPONENTS
READ ALL INSTRUCTIONS BEFORE STARTING ASSEMBLY

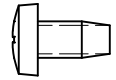
INCLUDED HARDWARE



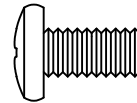
#10-24 FLANGED
HEX NUT (4)
PNUT0052



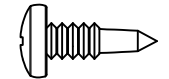
#10-24 x 3/8
PAN HD PHIL TAPPING (30)
PSCR0190



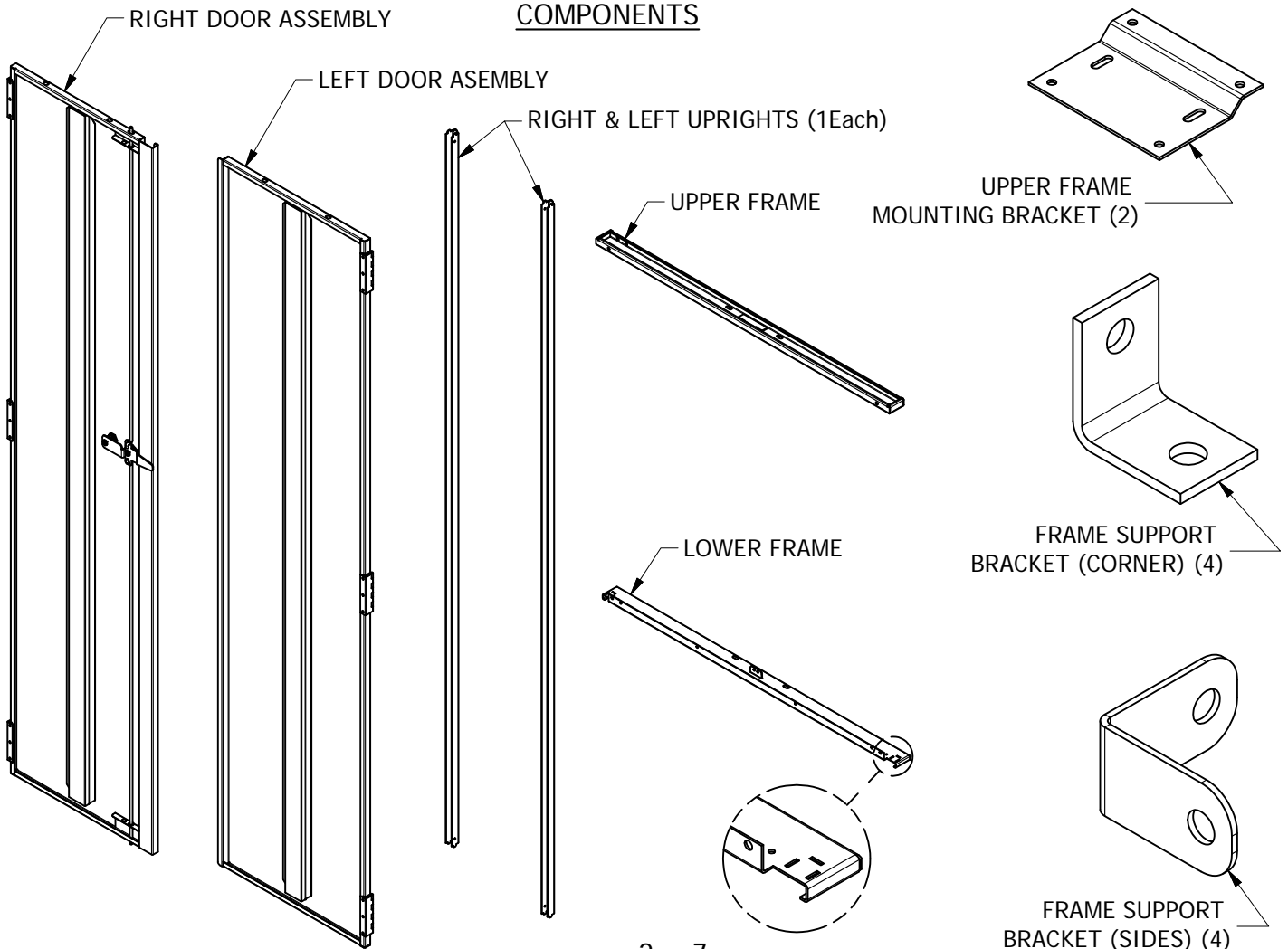
#10-24 X 5/8"
PAN HEAD PHILLIPS
MACHINE SCREW (4)
PSCR0041



#10 x 1/2"
PAN HD PHIL
TEK SCREW (12)
PSCR0247

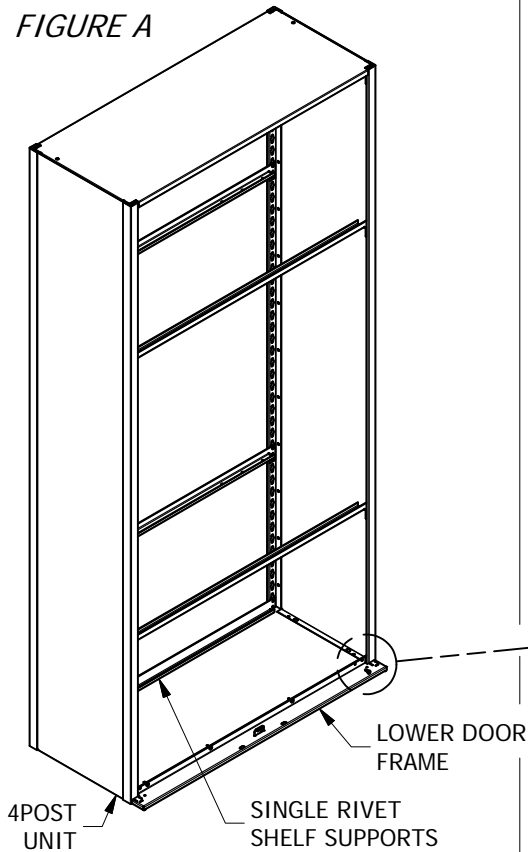


COMPONENTS



4POST HINGED DOORS (HD2)

FIGURE A



STEP 1:

PLACE LOWER FRAME ON FLOOR IN FRONT OF 4POST UNIT AND THEN SLIDE FRAME IN AGAINST SINGLE RIVET SHELF SUPPORT AS SHOWN IN FIGURE A & DETAIL B. IF USING A DOUBLE RIVET SHELF SUPPORT AND KICK PLATE (2" OR 4") SEE FIGURE C & DETAIL D. MAKE SURE LOWER DOOR FRAME IS CENTERED BETWEEN UPRIGHTS, THEN INSTALL (4) #10 x 1/2" PHIL HD TEK SCREWS USING EXISTING HOLES IN LOWER DOOR FRAME AS A GUIDE TO ATTACH FRAME TO SHELF SUPPORT (OR KICK PLATE) AS SHOWN.

DETAIL B

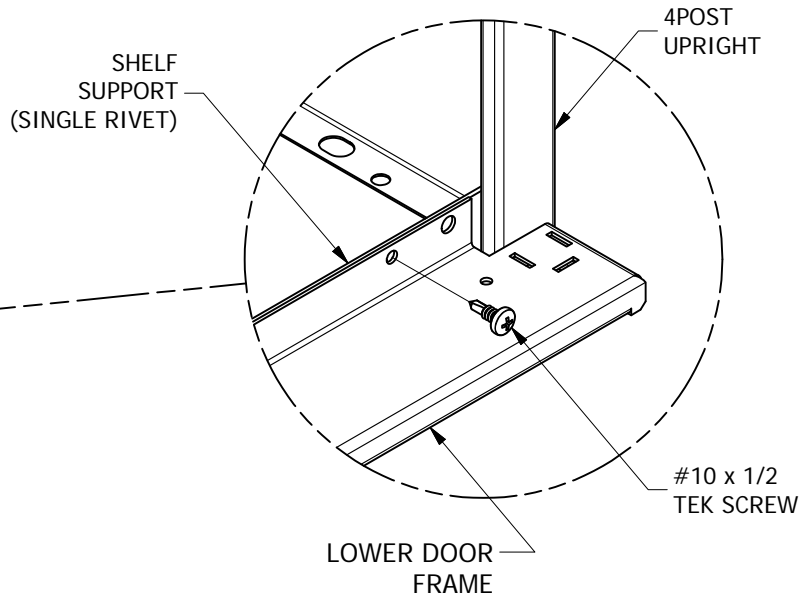
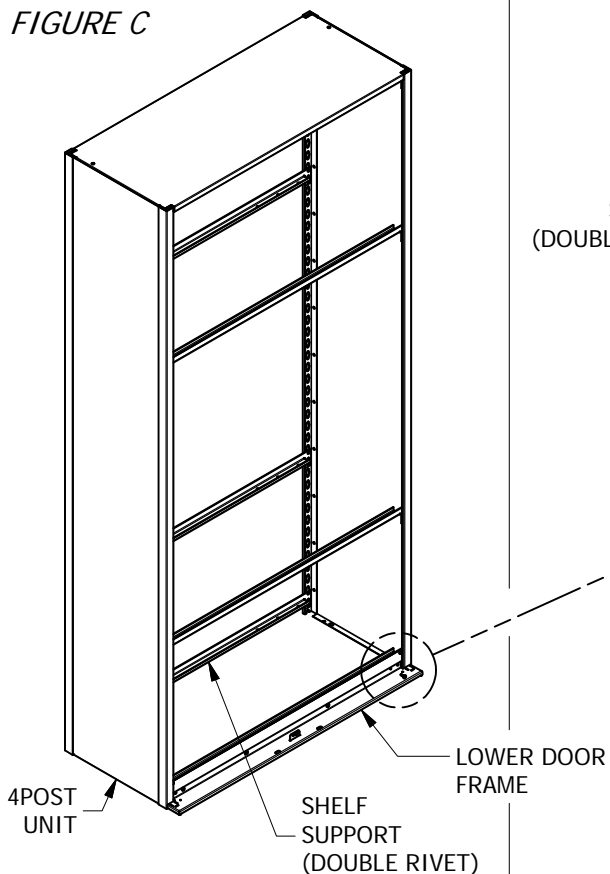
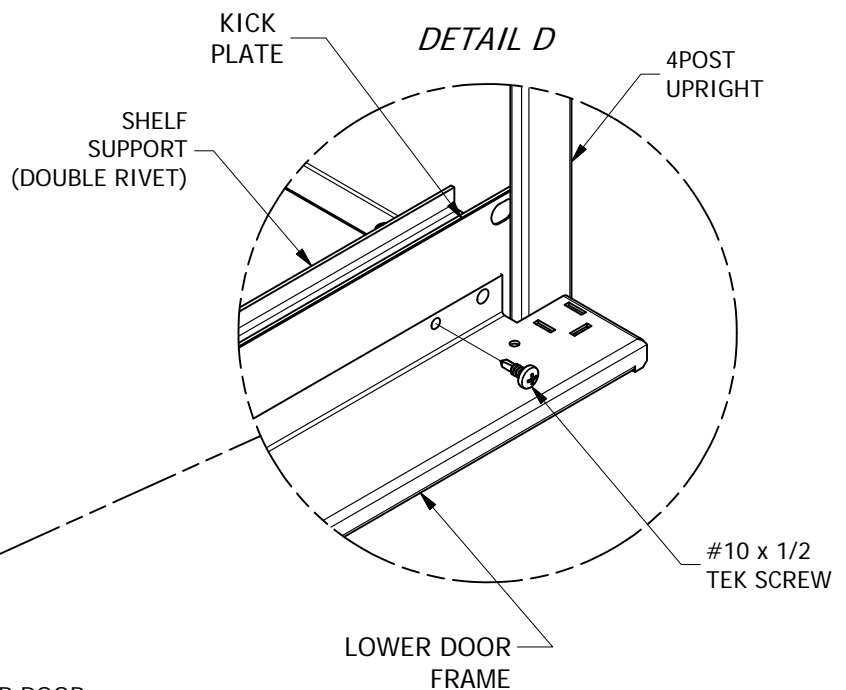


FIGURE C

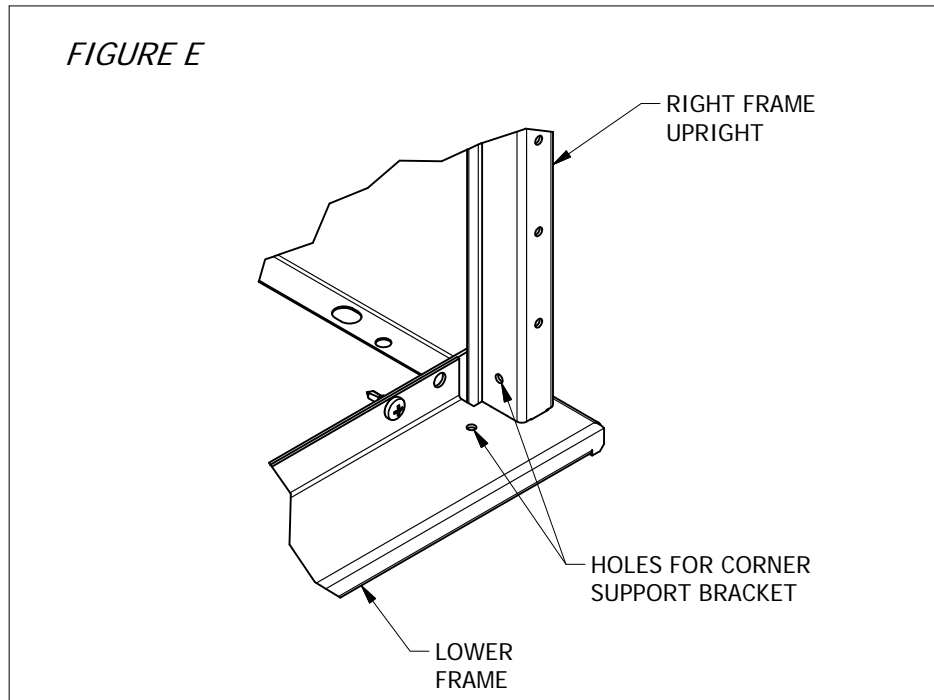


DETAIL D

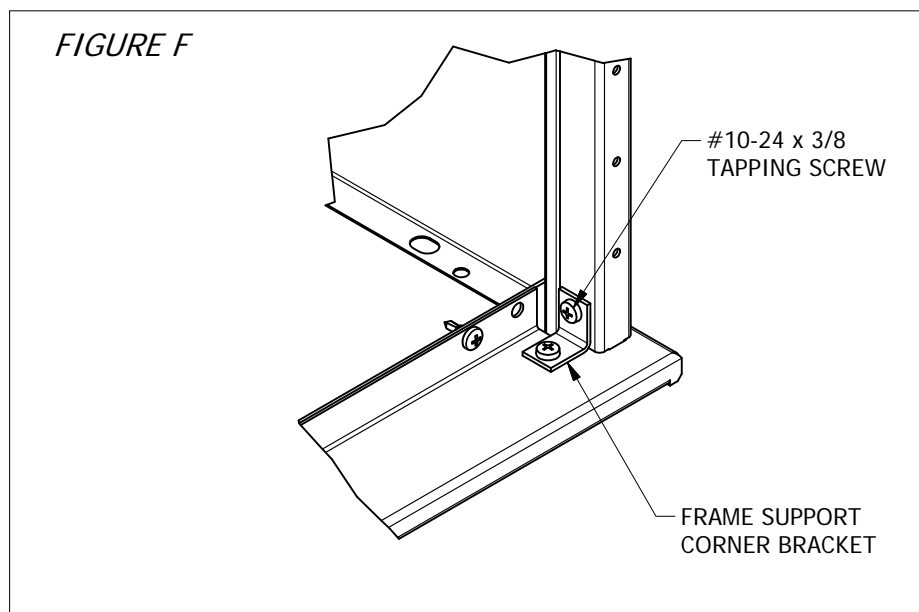


4POST HINGED DOORS (HD2)

STEP 2:
INSERT RIGHT UPRIGHT INTO SLOTS ON LOWER FRAME AS SHOWN IN FIGURE E MAKING SURE TO HAVE THE HOLES FOR THE CORNER SUPPORT BRACKETS AND DOOR HINGES ORIENTED AS SHOWN.



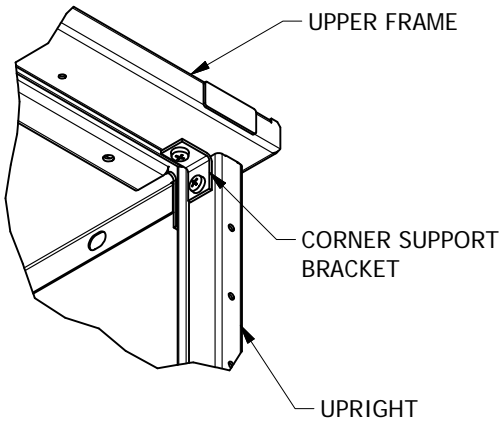
STEP 3:
ATTACH UPRIGHT TO LOWER FRAME USING FRAME SUPPORT BRACKET (CORNER) AND (2) #10-24 x 3/8 PAN HD PHIL TAPPING SCREWS AS SHOWN IN FIGURE F.



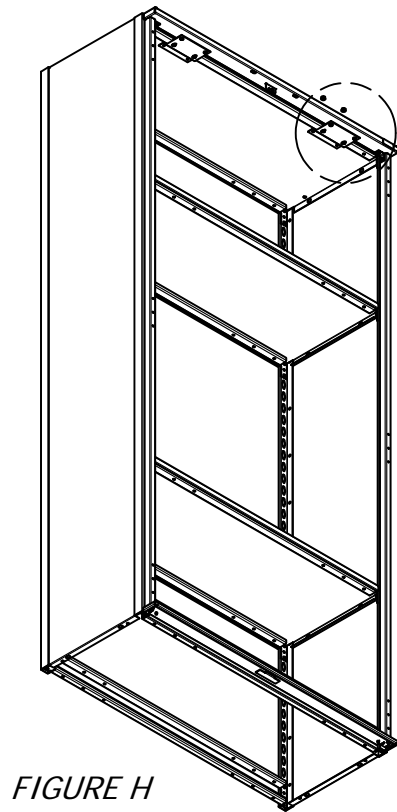
STEP 4:
REPEAT STEPS 2 & 3 TO ATTACH LEFT UPRIGHT TO LOWER FRAME

4POST HINGED DOORS (HD2)

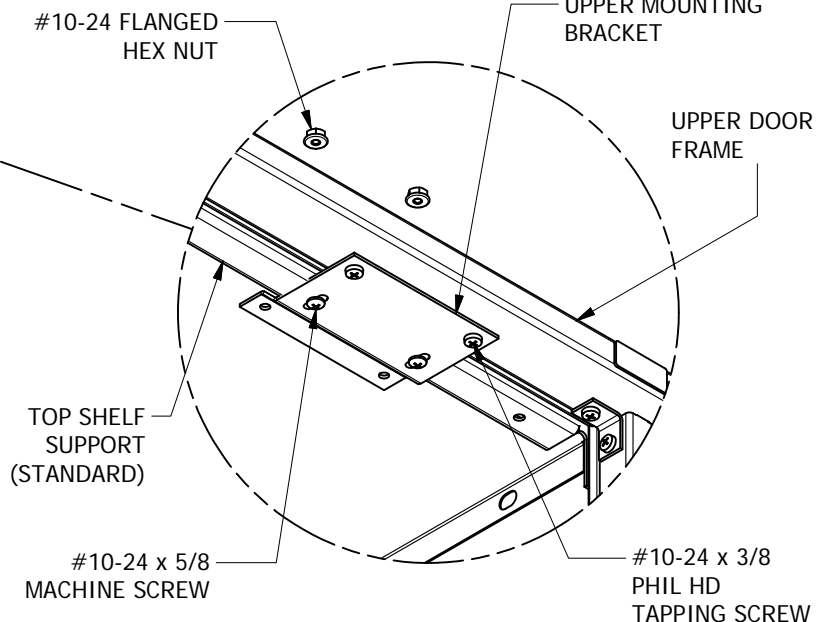
FIGURE G



STEP 5:
ATTACH UPPER FRAME TO LEFT AND RIGHT UPRIGHTS
SIMILAR TO STEPS 2-4 AS SHOWN IN FIGURE G.

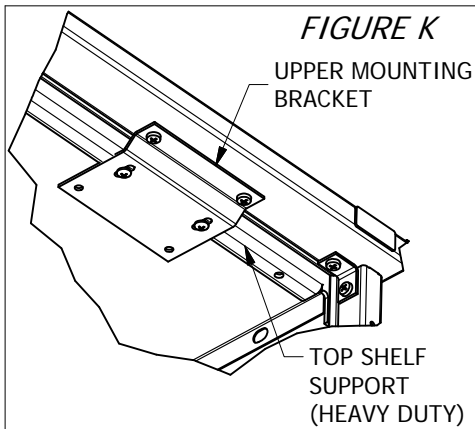


DETAIL J



STEP 6:
SECURE UPPER FRAME TO 4POST UNIT TOP SHELF
SUPPORT USING UPPER MOUNTING BRACKETS AND
HARDWARE AS SHOWN IN FIGURE H AND DEAIL J.

FIGURE K



NOTE:
WHEN USING HEAVY DUTY TOP SHELF SUPPORT
USE OFFSET SIDE OF UPPER MOUNTING BRACKET
AS SHOWN IN FIGURE K.

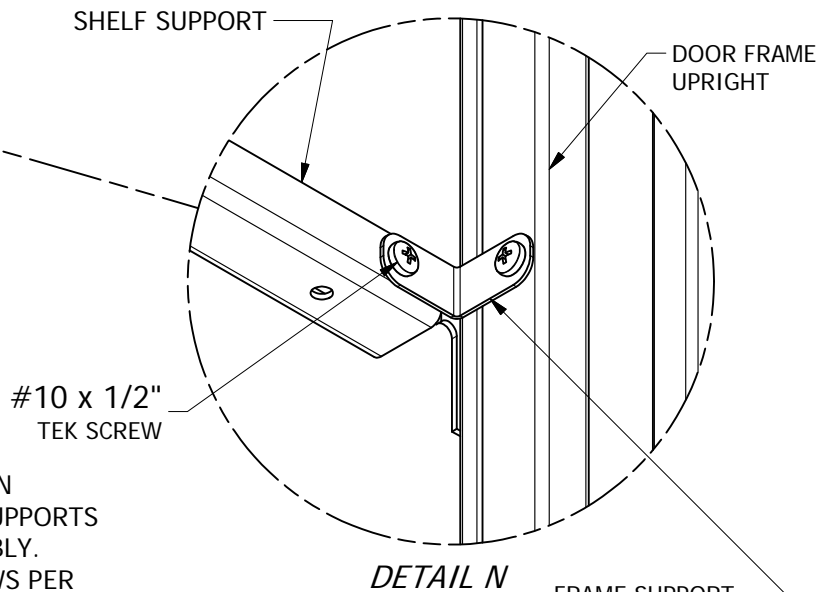
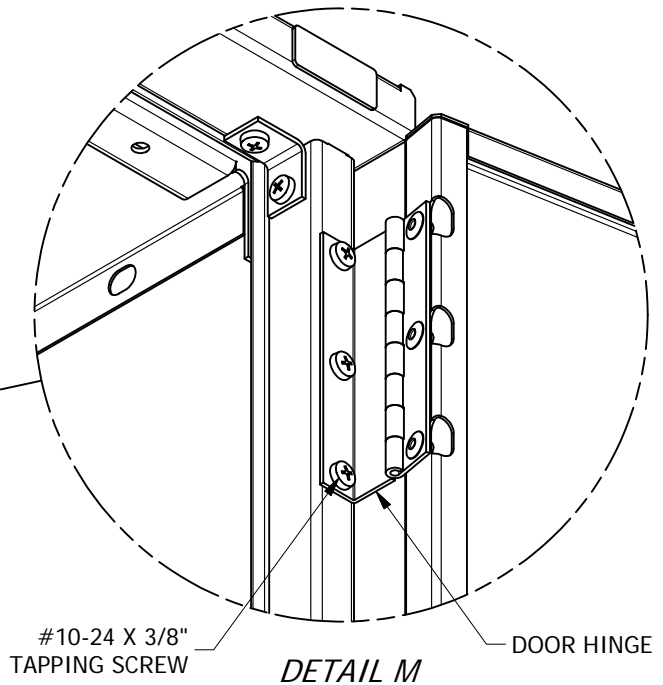
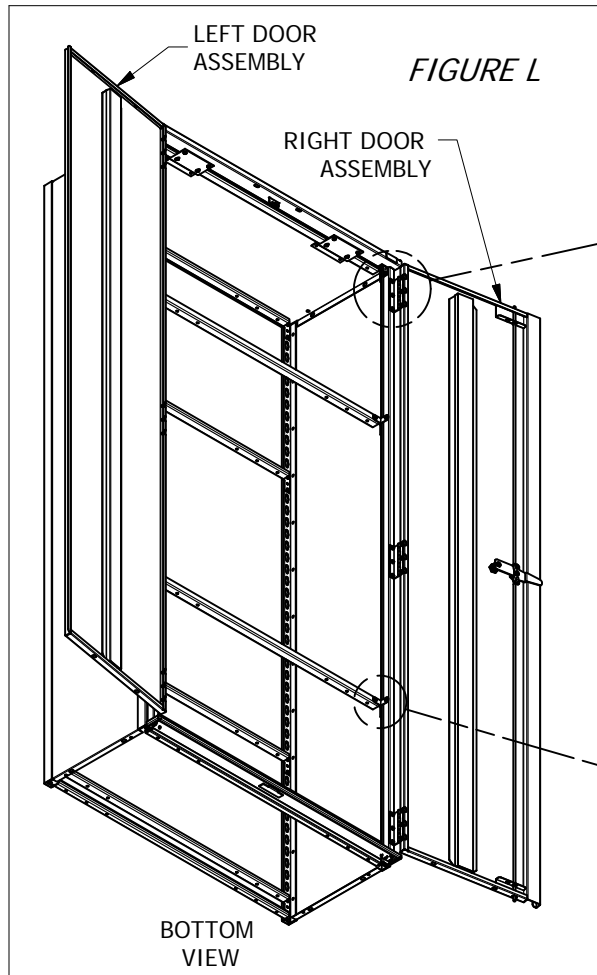
4POST HINGED DOORS (HD2)

CAUTION

4POST UNIT MUST BE SECURED TO WALL.
THE WEIGHT OF THE DOORS MAY CAUSE THE UNIT TO TIP FORWARD IF 4POST UNIT IS NOT PROPERLY SECURED.

STEP 7:

ATTACH DOOR ASSEMBLIES TO VERTICAL UPRIGHTS USING (3) #10-24 x 3/8" PHIL HD TAPPING SCREWS PER HINGE AS SHOWN IN FIGURE L AND DETAIL M.



STEP 8:

ATTACH FRAME SUPPORT BRACKETS (QTY. 4, 2 ON RIGHT SIDE, 2 ON LEFT SIDE) TO ANY 2 SHELF SUPPORTS BETWEEN THE TOP AND BOTTOM OF THE ASSEMBLY. ATTACH WITH (2) #10 x 1/2" PHIL HD TEK SCREWS PER BRACKET AS SHOWN FIGURE L AND DETAIL N.

FRAME SUPPORT BRACKET (SIDES)
MAKE SURE THAT SHELF SUPPORTS ARE IN THE DESIRED POSITION BEFORE INSTALLING ANY SCREWS.

