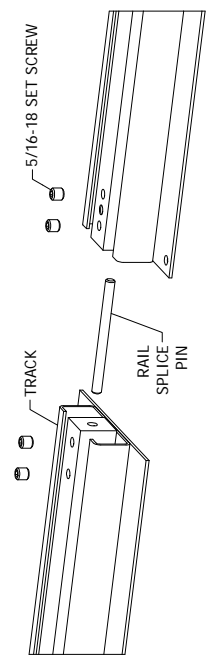
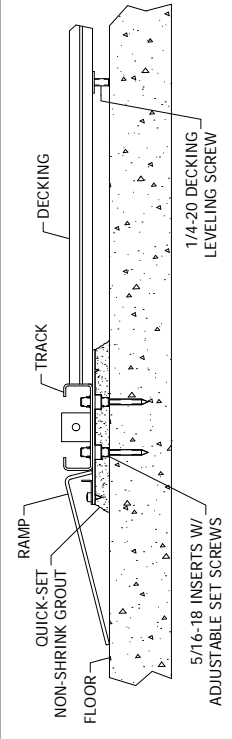


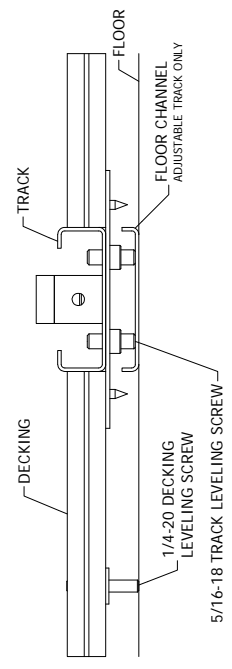
MOBILETRAKS DECKING SPLICE
14 GAGE GALVANIZED



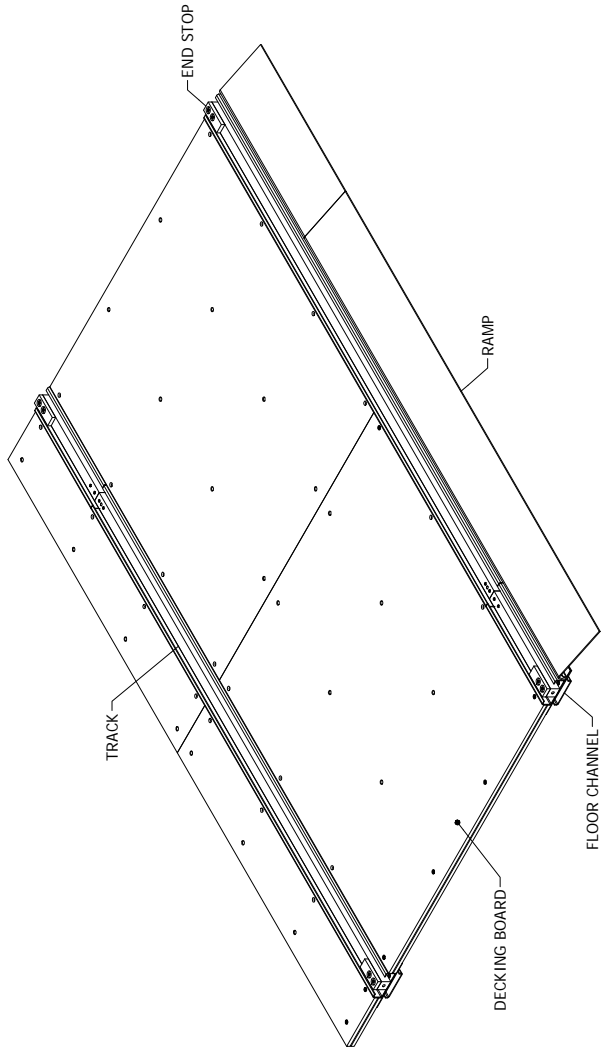
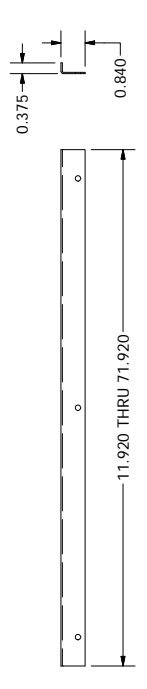
MOBILETRAKS RAIL SPLICE
1018 CRS



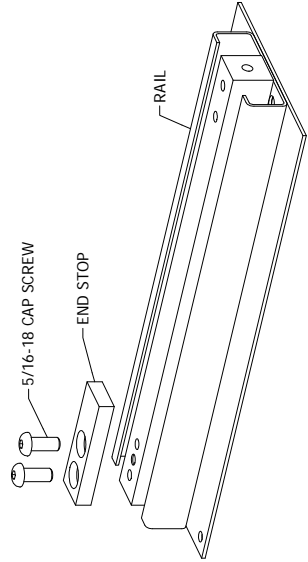
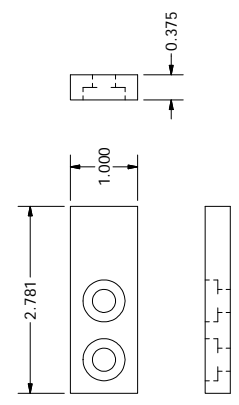
MOBILETRAKS GROUDED TRACK LEVELING COMPONENTS



MOBILETRAKS STANDARD TRACK LEVELING COMPONENTS



MOBILETRAKS TRACK AND DECKING TYPICAL



MOBILETRAKS RAMP
11 GAGE CRS

