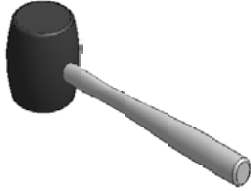


# SLIDER 4POST ADAPTER BRACKET INSTRUCTIONS

The following assembly instructions are to be used only for 4Post Shelving placed on a side slider track system. The brackets included in these kits will enable easier assembly of the units, and at the same time, provide greater stability and safety for all involved.

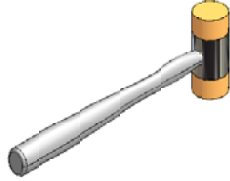
**PLEASE OPEN ALL BOXES & CHECK TO MAKE SURE YOU HAVE ALL PIECES REQUIRED**  
**READ ALL INSTRUCTIONS BEFORE STARTING**

## Tools required for assembly



Rubber Mallet

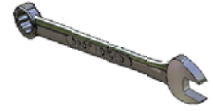
OR



Hammer

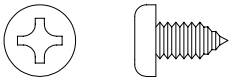


Phillips Screwdriver

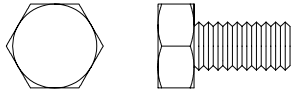


7/16" Wrench

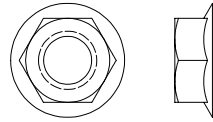
## Hardware included:



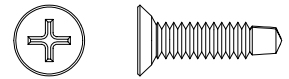
#10 x 3/8"  
Pan Head Phillips  
Sheet Metal Screw  
(Shown Full Size)



1/4-20 x 1/2"  
Hex Head Bolt  
(Shown Full Size)



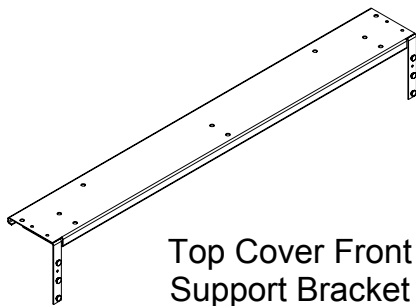
1/4-20 Flanged  
Hex Nut  
(Shown Full Size)



#10-24 x 3/4"  
Flat Head  
Tek Screw  
(Shown Full Size)

**PLEASE NOTE:** If you have not yet assembled the 4Post shelving units, you should do so at this time. Follow the instructions received with the shelving. These adapter bracket instructions are in addition to, but do not replace, the 4Post instructions. These instructions are only used when installing 4Post shelving on a side slider track system.

## Top Cover Front Support Bracket Installation



Top Cover Front  
Support Bracket

**STEP 1:** When installing the stationary shelving for the rear of the slider system, the Top Cover Front Support Bracket needs to replace the top front Shelf Support from the 4Post Assembly Instructions. If the standard shelf support has already been installed, remove it from the uprights (see *Figure A*). You may need a hammer to dislodge the rivets in the bracket from the keyholes in the uprights.

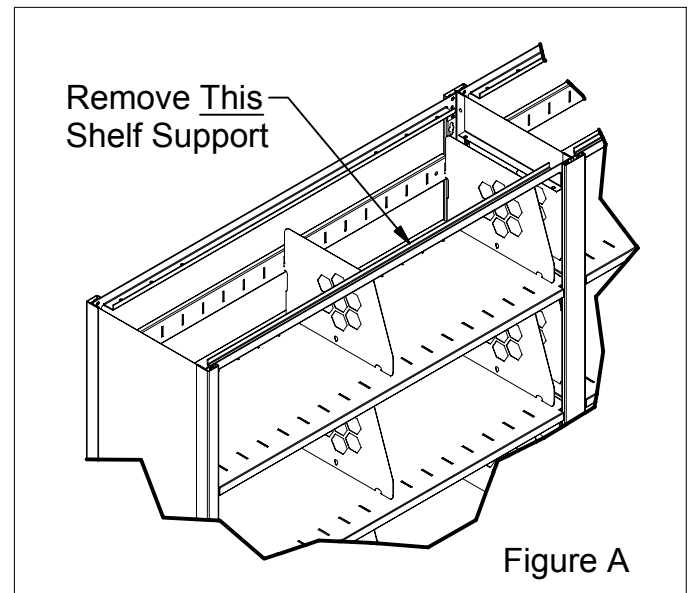
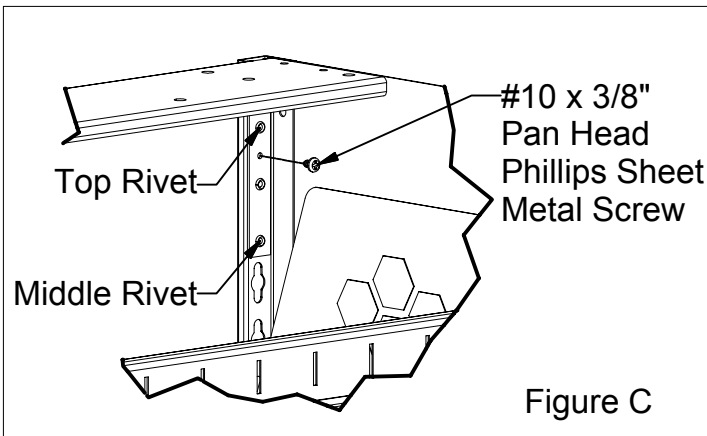
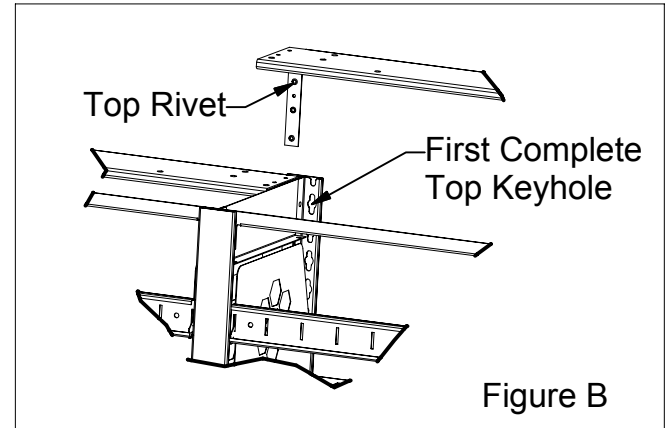


Figure A

# SLIDER 4POST ADAPTER BRACKET INSTRUCTIONS

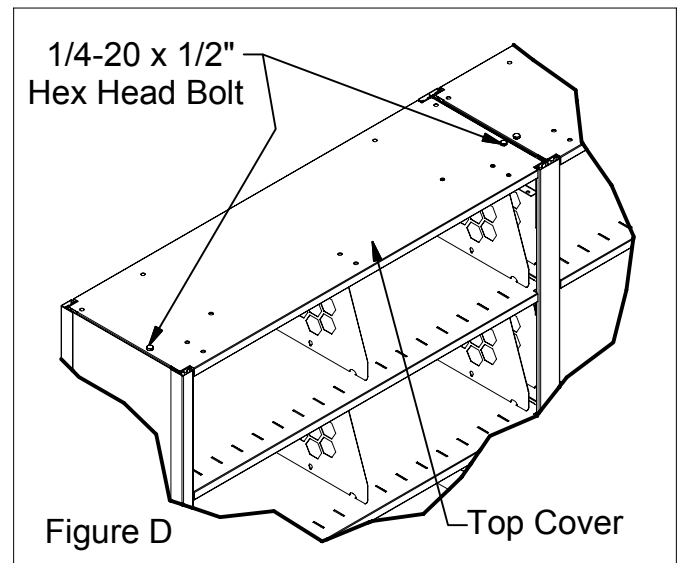
## Top Cover Front Support Bracket Installation (cont'd)

**STEP 2:** Place the rivets on the Top Cover Front Support Bracket into the keyholes near the top of the uprights in the front of the unit. The top rivet on each side of the bracket should be inserted into the first complete keyhole in the top of the uprights (see *Figure B*). Tap into place with a rubber mallet or hammer to seat the rivets firmly into the bottom of the keyholes.



**STEP 3:** After insertion of the Top Cover Front Support Bracket rivets into the keyholes, a #10 x 3/8" Pan Head Phillips Sheet Metal Screw must be inserted through the hole located on the rear of the bracket between the top and middle rivet as shown in *Figure C*. Two screws are required, one on each upright. This will keep the bracket from inadvertently pulling out of the keyholes from the stress induced when moving the front sliding unit(s) side to side.

**STEP 4:** When installing or re-installing the Top Cover on the rear stationary 4Post units, the Top Cover Front Support Bracket should be secured to the Top Cover at the holes indicated in *Figure D*. It may be necessary to remove the knockouts in the Top Cover before the bolts can be inserted. Using a standard size Phillips screwdriver and hammer, the knockouts can easily be punched out of the Top Cover. Use the 1/4-20 x 1/2" Hex Head Bolts and the 1/4-20 Flanged Hex Nuts provided in the hardware kit to attach the cover to the bracket.

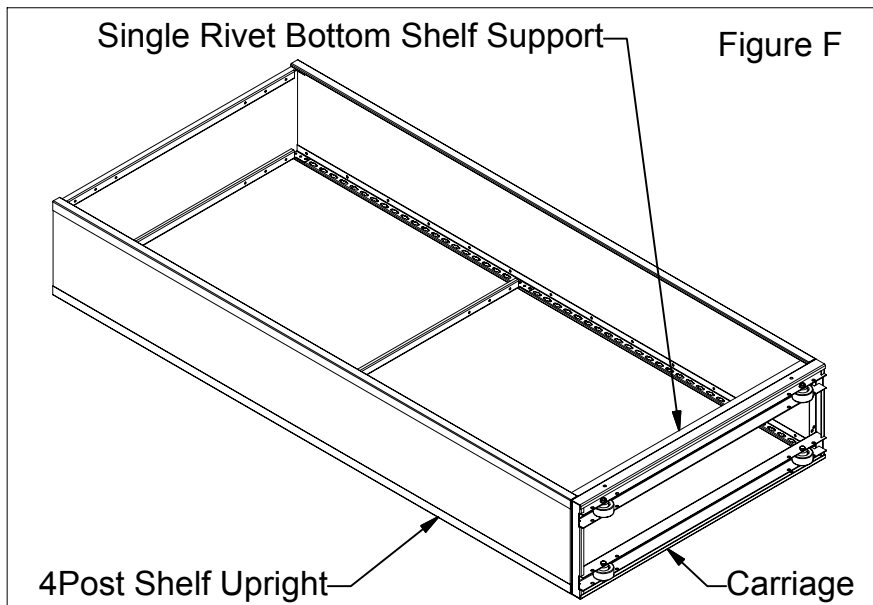
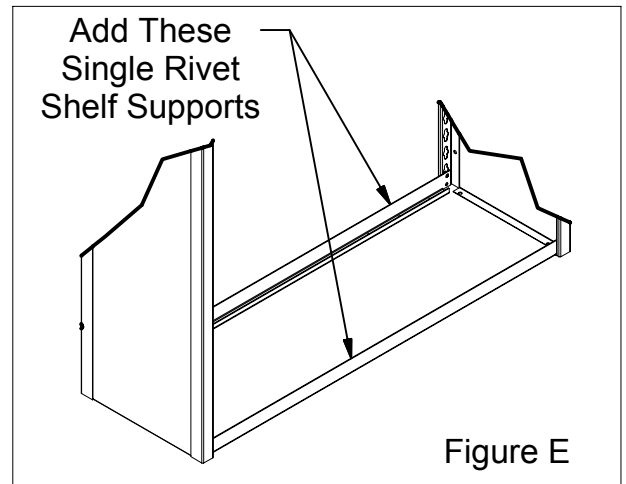


*This concludes the instructions for installing the Top Front Support Bracket. Repeat Steps 1-4 for each stationary unit installed as the rear units of a slider system. Continue with Step 5 on page 3 when installing the Single Rivet Bottom Shelf Support on the 4Post units installed on the sliding carriage(s).*

# SLIDER 4POST ADAPTER BRACKET INSTRUCTIONS

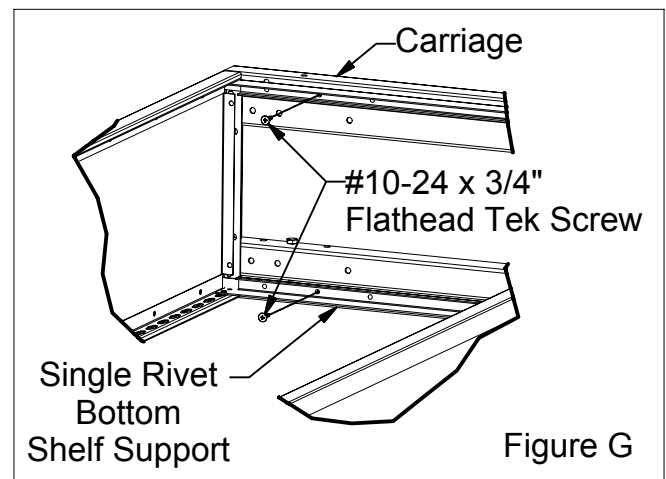
## Single Rivet Bottom Shelf Support Installation

**STEP 5:** When installing the 4Post shelving on the carriages of the slider system, the Single Rivet Bottom Shelf Support is installed in place of the two lower standard shelf supports (front & rear) as originally indicated in the 4Post Assembly Instructions. If the shelf supports have already been installed, remove them from the uprights. You may need a hammer to dislodge the rivets in the bracket from the keyholes in the uprights. Insert the Rivet on each end of the Single Rivet Bottom Shelf Support into the first complete bottom keyholes. Tap into place with a rubber mallet or hammer to seat the rivets firmly into the bottom of the keyholes (see *Figure E*).



**STEP 6:** Once the Single Rivet Bottom Shelf Supports are installed, tilt the shelving back until the rear of the shelving is laying on the floor. Place the carriage against the bottom of the shelving (see *Figure F*).

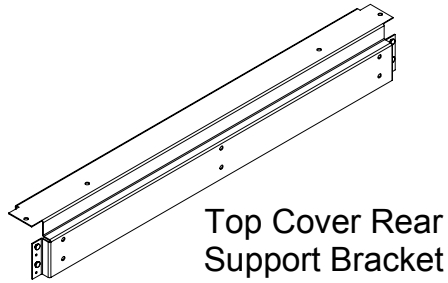
**STEP 7:** Using two (2) of the #10-24 x 3/4" Flat Head Tek Screws supplied in the hardware kit, fasten the Single Rivet Bottom Shelf Support on the back of the shelving to the carriage in the pre-punched holes as shown in *Figure G*. Repeat this procedure with the other Single Rivet Bottom Shelf Support, securing it to the top of the carriage.



*This concludes the instructions for installing the Single Rivet Bottom Shelf Support. Repeat Steps 5-7 for each movable unit installed on a slider system. Continue with Step 8 on page 4 when installing the Top Cover Rear Support Bracket on the 4Post units installed on the sliding carriage(s).*

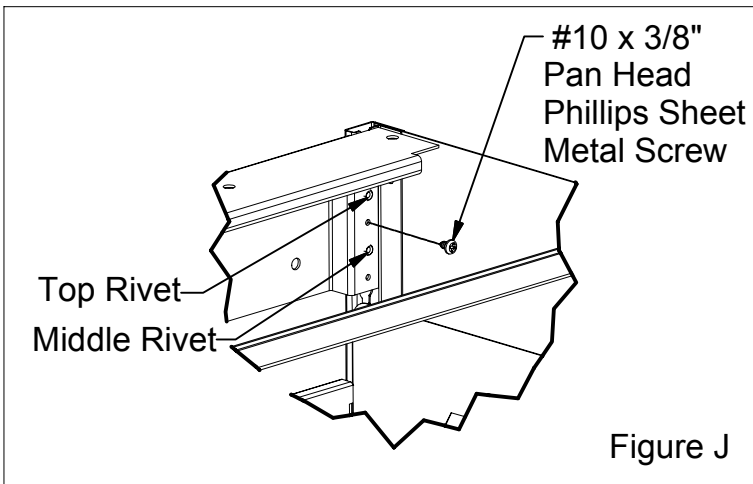
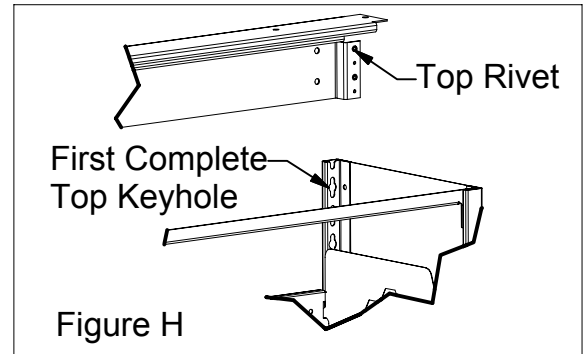
# SLIDER 4POST ADAPTER BRACKET INSTRUCTIONS

## Top Cover Rear Support Bracket Installation



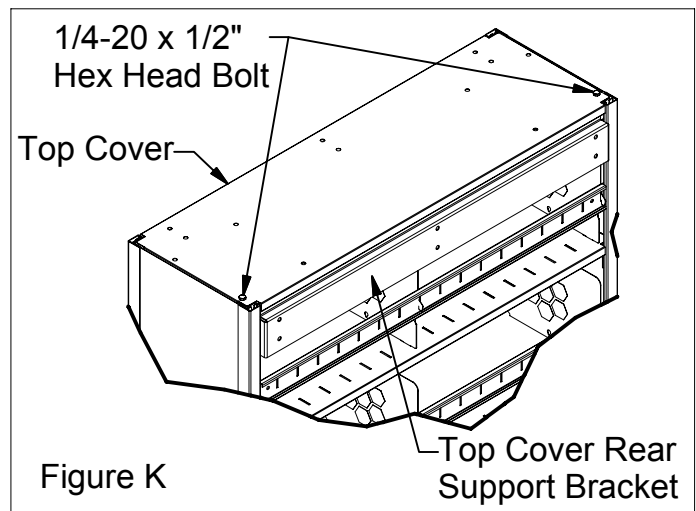
**STEP 8:** When installing the 4Post shelving on the carriages of the slider system, the Top Cover Rear Support Bracket needs to replace the top rear Shelf Support from the 4Post Assembly Instructions. If the standard shelf support has already been installed, remove it from the uprights. You may need a hammer to dislodge the rivets in the bracket from the keyholes in the uprights.

**STEP 9:** Place the rivets on the Top Cover Rear Support Bracket into the keyholes near the top of the uprights in the rear of the unit. The top rivet on each side of the bracket should be inserted into the first complete keyhole in the top of the uprights (see *Figure H*). Tap into place with a rubber mallet or hammer to seat the rivets firmly into the bottom of the keyholes.



**STEP 10:** After insertion of the Top Cover Rear Support Bracket rivets into the keyholes, a #10 x 3/8" Pan Head Phillips Sheet Metal Screw must be inserted through the hole located on the rear of the bracket between the top and middle rivet as shown in *Figure J*. Two screws are required, one on each upright. This will keep the bracket from inadvertently pulling out of the keyholes from the stress induced when moving this sliding unit(s) side to side.

**STEP 11:** When installing or re-installing the Top Cover on the movable 4Post units, the Top Cover Rear Support Bracket should be secured to the Top Cover at the holes indicated in *Figure K*. It may be necessary to remove the knockouts in the Top Cover before the bolts can be inserted. Using a standard size Phillips screwdriver and hammer, the knockouts can easily be punched out of the Top Cover. Use the two (2) remaining 1/4-20 x 1/2" Hex Head Bolts and 1/4-20 Flanged Hex Nuts provided in the hardware kit to attach the cover to the bracket.



*This concludes the instructions for installing the Top Cover Rear Support Bracket. You must now return to the side slider track system instructions to complete your installation of that system.*