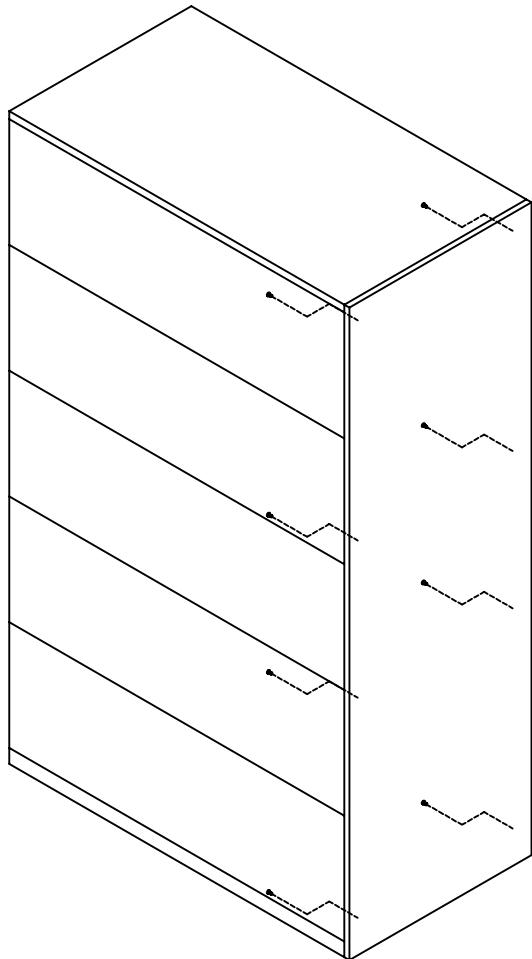
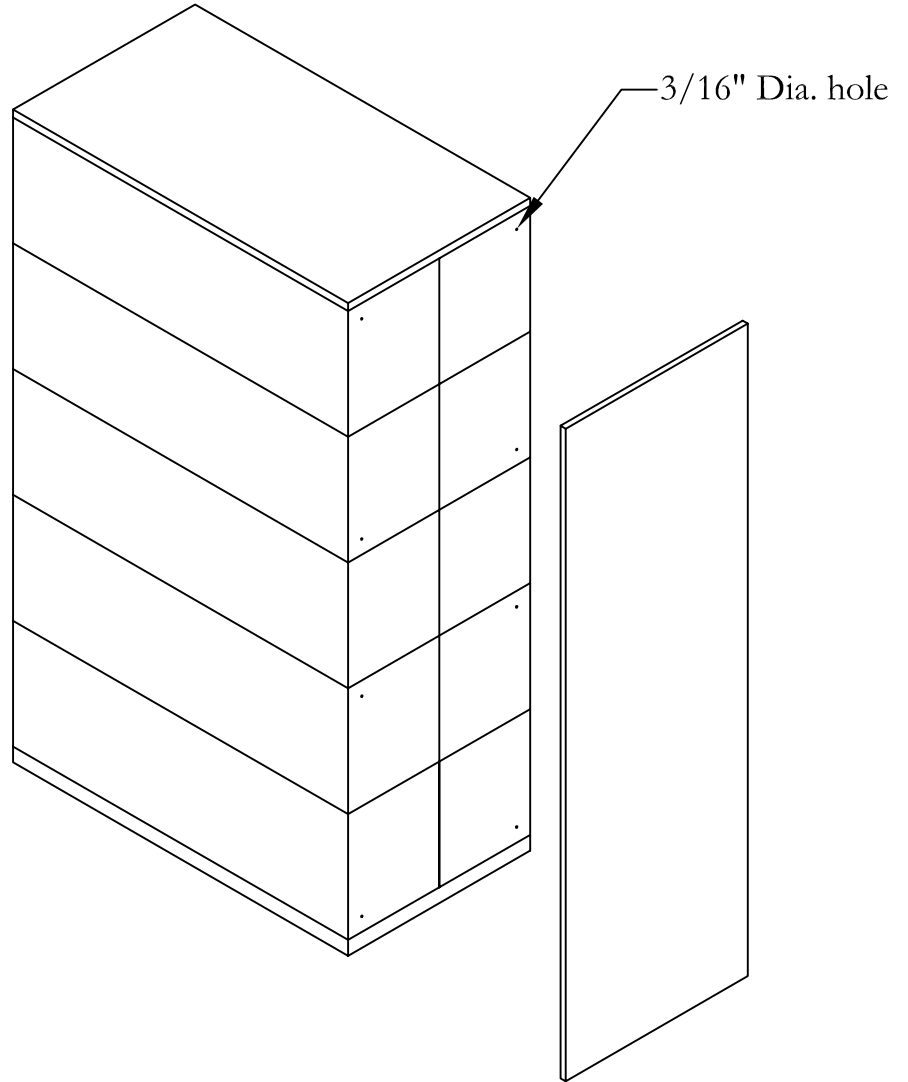
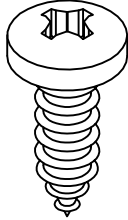


# Laminated End Panel Assembly Instructions

TOOLS NEEDED FOR ASSEMBLY:  $\frac{3}{16}$ " DIA. DRILL, PHILLIPS SCREWDRIVER  
HARDWARE INCLUDED: #8 x  $\frac{1}{2}$ " SCREWS

Step 1) Drill holes in sides of existing shelving as shown. Use  $\frac{3}{16}$ " dia. drill bit (not supplied).

#8 x  $\frac{1}{2}$ "  
SHEET METAL  
SCREW



Step 2) Position laminated panel against shelving, flush on top & sides & attach with #8 x  $\frac{1}{2}$ " screws as shown. Use a minimum of 8 screws to attach panel.