

# POSTING SHELF ASSEMBLY INSTRUCTIONS (Fixed & Plate Divider Tiers)

## TOOLS REQUIRED:

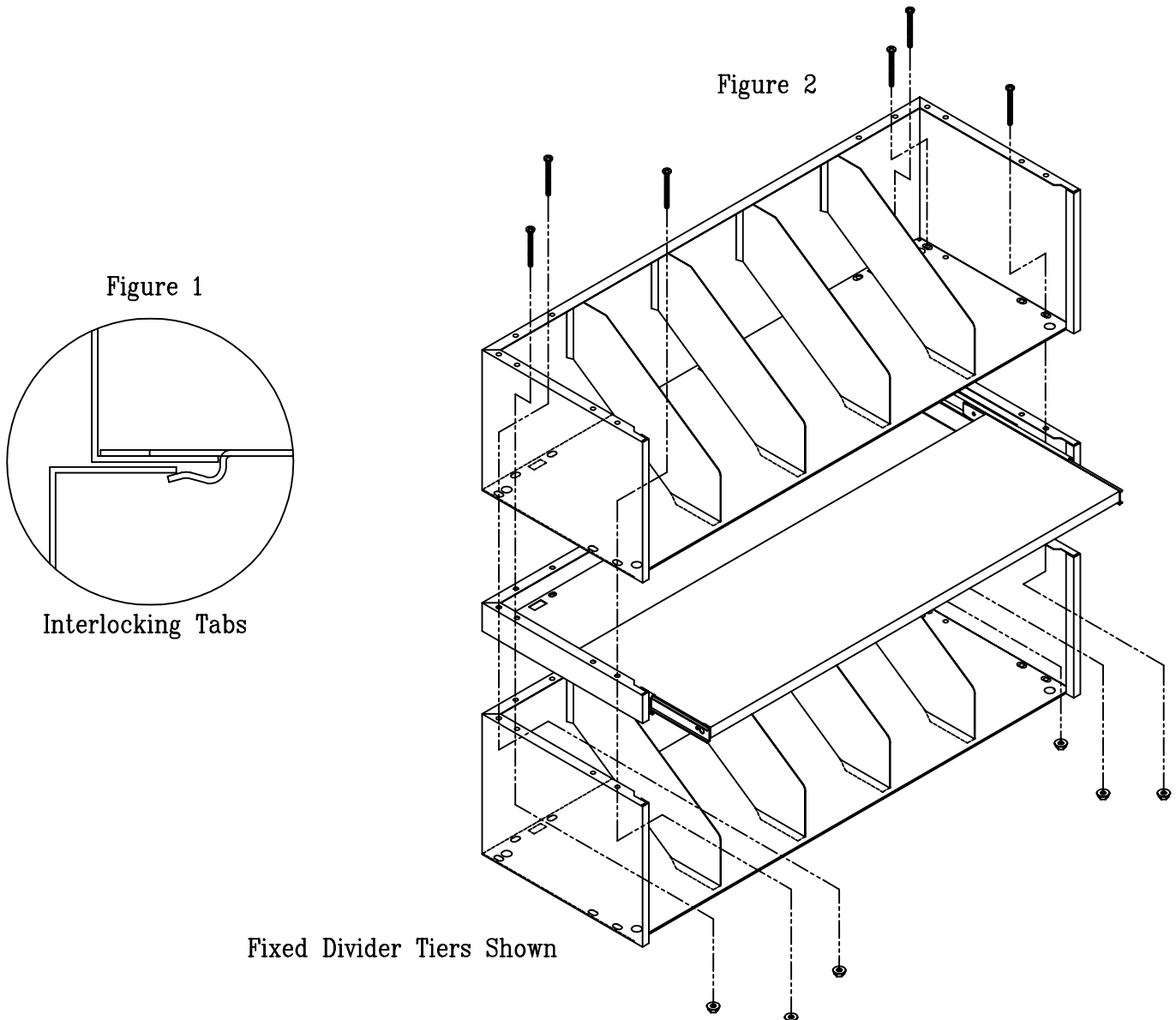
PHILLIPS SCREWDRIVER  
7/16" OPEN END WRENCH

STEP 1. Position the posting shelf on top of tier in the desired location. Be certain that the interlocking tabs on the bottom of the Shelf hook under the rear flange of the Tier below. (Fig. 1)

STEP 2. Position next tier on top of posting shelf. Be certain that the interlocking tabs on the bottom of the Tier hook under the rear flange of the Posting shelf. (Fig. 1)

STEP 3. Align the six holes and insert a 2 1/2" screw in each hole from top. Attach Flanged Hex nut on bottom of screws and tighten. (Fig. 2)

STEP 4. Continue installing the tier sections.



# POSTING SHELF SPACER ASSEMBLY INSTRUCTIONS (Fixed & Plate Divider Tiers)

## TOOLS REQUIRED:

PHILLIPS SCREWDRIVER  
7/16" OPEN END WRENCH

STEP 1. Position the posting shelf spacer on top of tier in the desired location. Be certain that the interlocking tabs on the bottom of the Shelf hook under the rear flange of the Tier below. (Fig. 1)

STEP 2. Position next tier on top of posting shelf. Be certain that the interlocking tabs on the bottom of the Tier hook under the rear flange of the Posting shelf. (Fig. 1)

STEP 3. Align the six holes and insert a 2 1/2" screw in each hole from top. Attach Flanged Hex nut on bottom of screws and tighten. (Fig. 2)

STEP 4. Continue installing the tier sections.

