

POSTING SHELF ASSEMBLY INSTRUCTIONS

TOOLS REQUIRED:

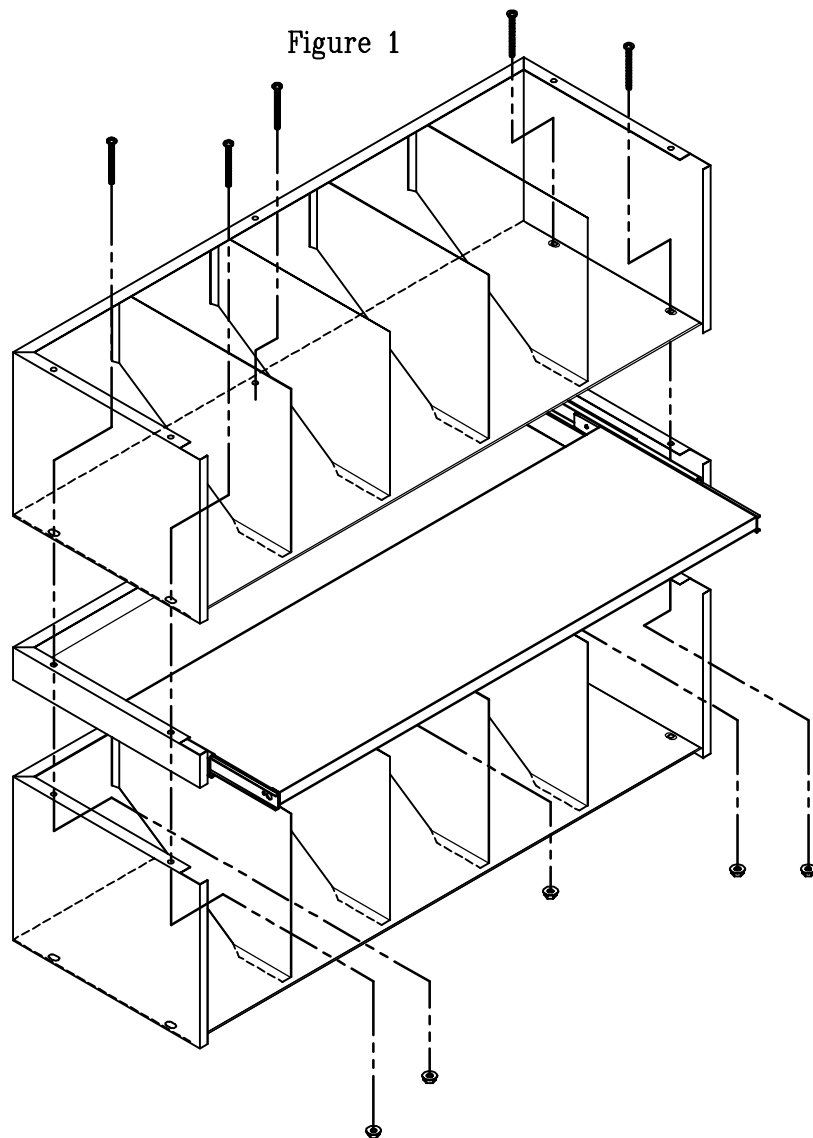
PHILLIPS SCREWDRIVER
7/16" OPEN END WRENCH

STEP 1. Position the posting shelf on top of tier in the desired location.

STEP 2. Position next tier on top of posting shelf.

STEP 3. Align the five holes and insert a 3" screw in each hole from top. Attach Flanged Hex nut on bottom of screws and tighten. (Fig. 1)

STEP 4. Continue installing the tier sections.



POSTING SHELF SPACER ASSEMBLY INSTRUCTIONS

TOOLS REQUIRED:

PHILLIPS SCREWDRIVER

7/16" OPEN END WRENCH

STEP 1. Position the posting shelf spacer on top of tier in the desired location.

STEP 2. Position next tier on top of posting shelf spacer.

STEP 3. Align the five holes and insert a 3" screw in each hole from top. Attach Flanged Hex nut on bottom of screws and tighten. (Fig. 1)

STEP 4. Continue installing the tier sections.

