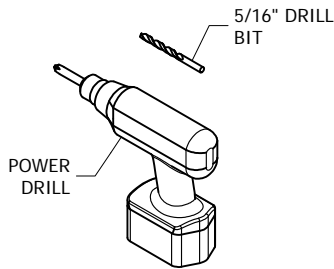


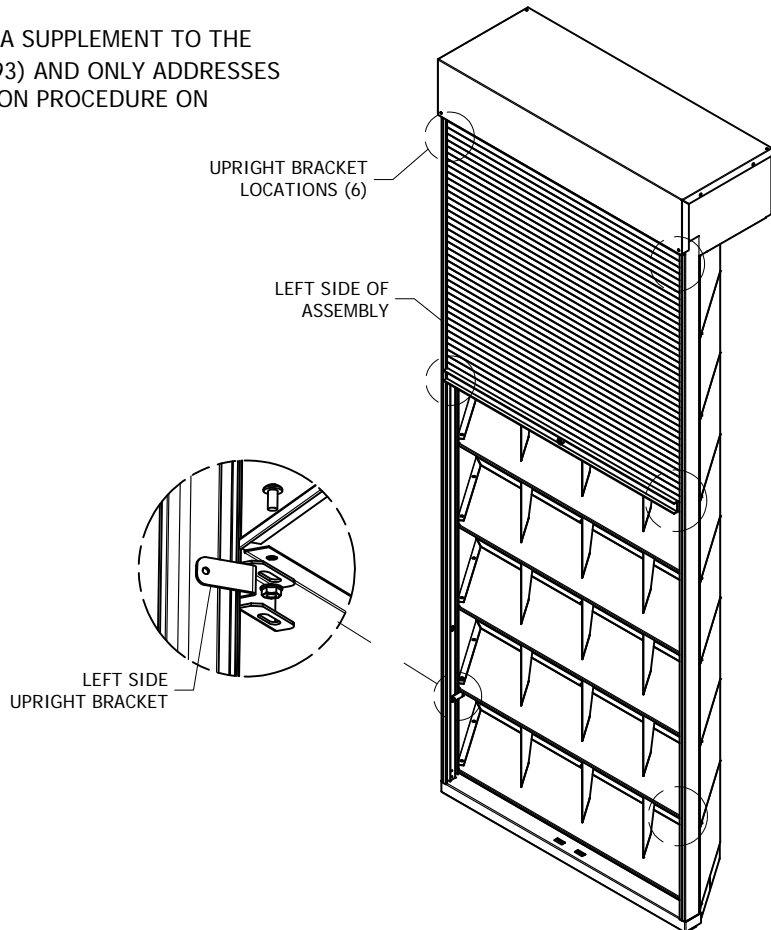
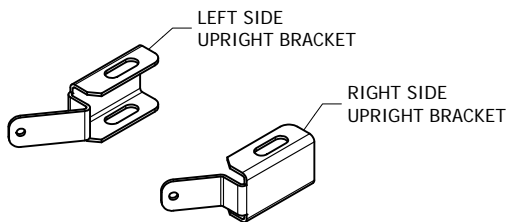
TAMBOUR DOOR SUPPLEMENTAL INSTRUCTIONS: SLANTED VU-STAK

NOTE: THESE INSTRUCTIONS ARE TO BE USED AS A SUPPLEMENT TO THE STANDARD TAMBOUR DOOR INSTRUCTIONS (INST0093) AND ONLY ADDRESSES THE MINOR DIFFERENCES BETWEEN THE INSTALLATION PROCEDURE ON STANDARD VU-STAK VERSUS SLANTED VU-STAK.

ADDITIONAL TOOLS REQUIRED:



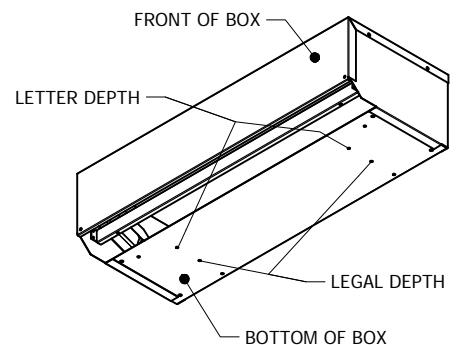
ADDITIONAL HARDWARE:



ADDITIONAL INSTALLATION NOTES:

1.0 SLANTED VU-STAK UNITS DO NOT HAVE KNOCK-OUTS ON THE TOP OF THE UNIT. MARK AND DRILL (2) 5/16" HOLES IN THE TOP OF UNIT FOR MOUNTING THE TAMBOUR DOOR BOX. TO MARK HOLE LOCATIONS, SELECT THE HOLES FOR THE CORRECT DEPTH UNIT AS SHOWN IN THE IMAGE TO THE RIGHT. PLACE TAMBOUR DOOR BOX ON TOP OF SHELVING AND CENTER LEFT/RIGHT AND FRONT/BACK SO THAT IT ALIGNS WITH THE UPRIGHTS; MARK HOLE LOCATIONS AND DRILL.

2.0 SLANTED UNITS WILL HAVE UNIQUE LEFT AND RIGHT UPRIGHT BRACKETS AS SHOWN ABOVE. THESE WILL REPLACE THE UNIVERSAL BRACKETS SHOWN IN THE STANDARD VU-STAK INSTRUCTIONS.



END OF INSTRUCTIONS

FOR ASSEMBLY ASSISTANCE CONTACT CUSTOMER SERVICE AT 1-866-217-0330
(MONDAY THRU FRIDAY 8AM-5PM EST)